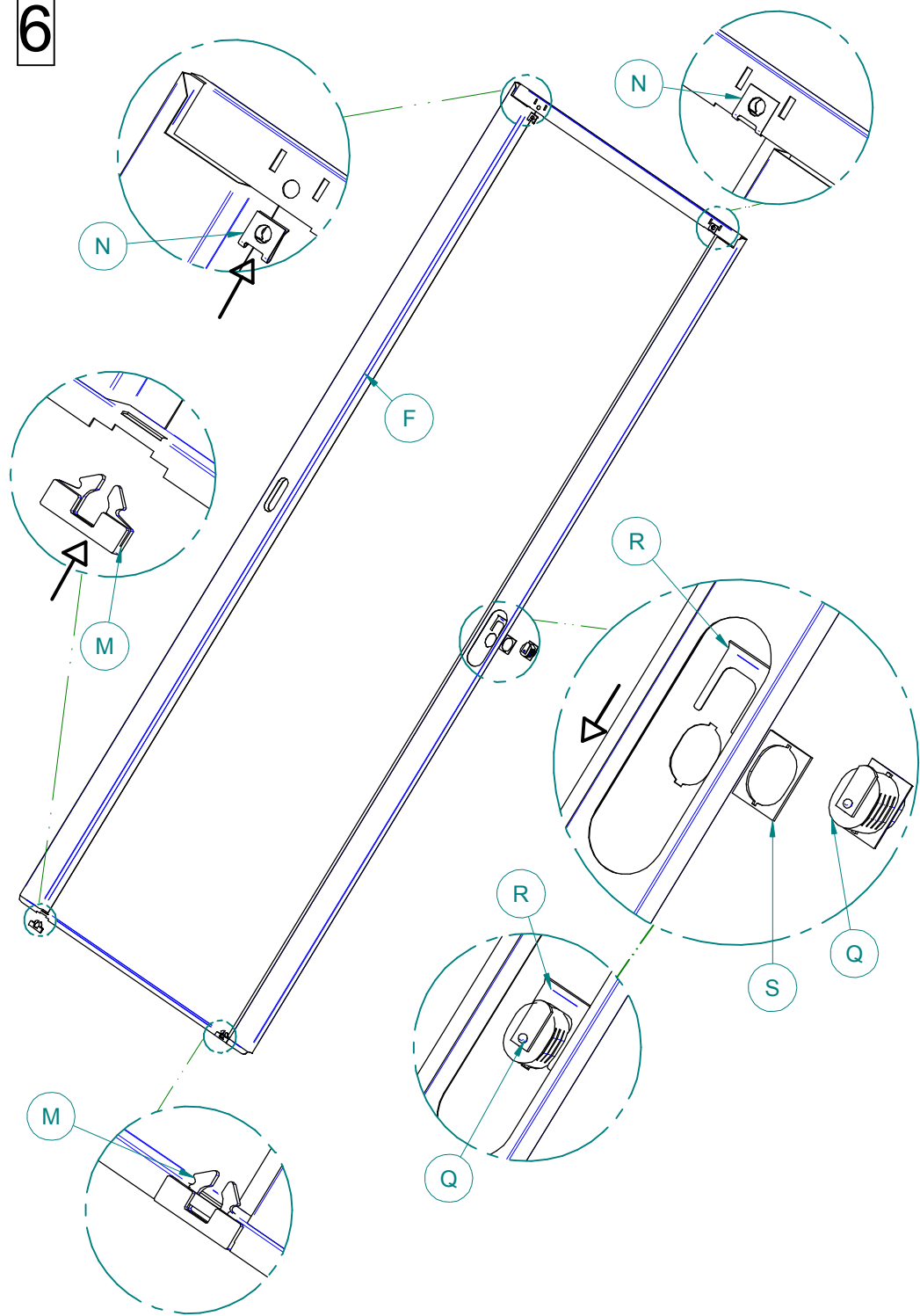
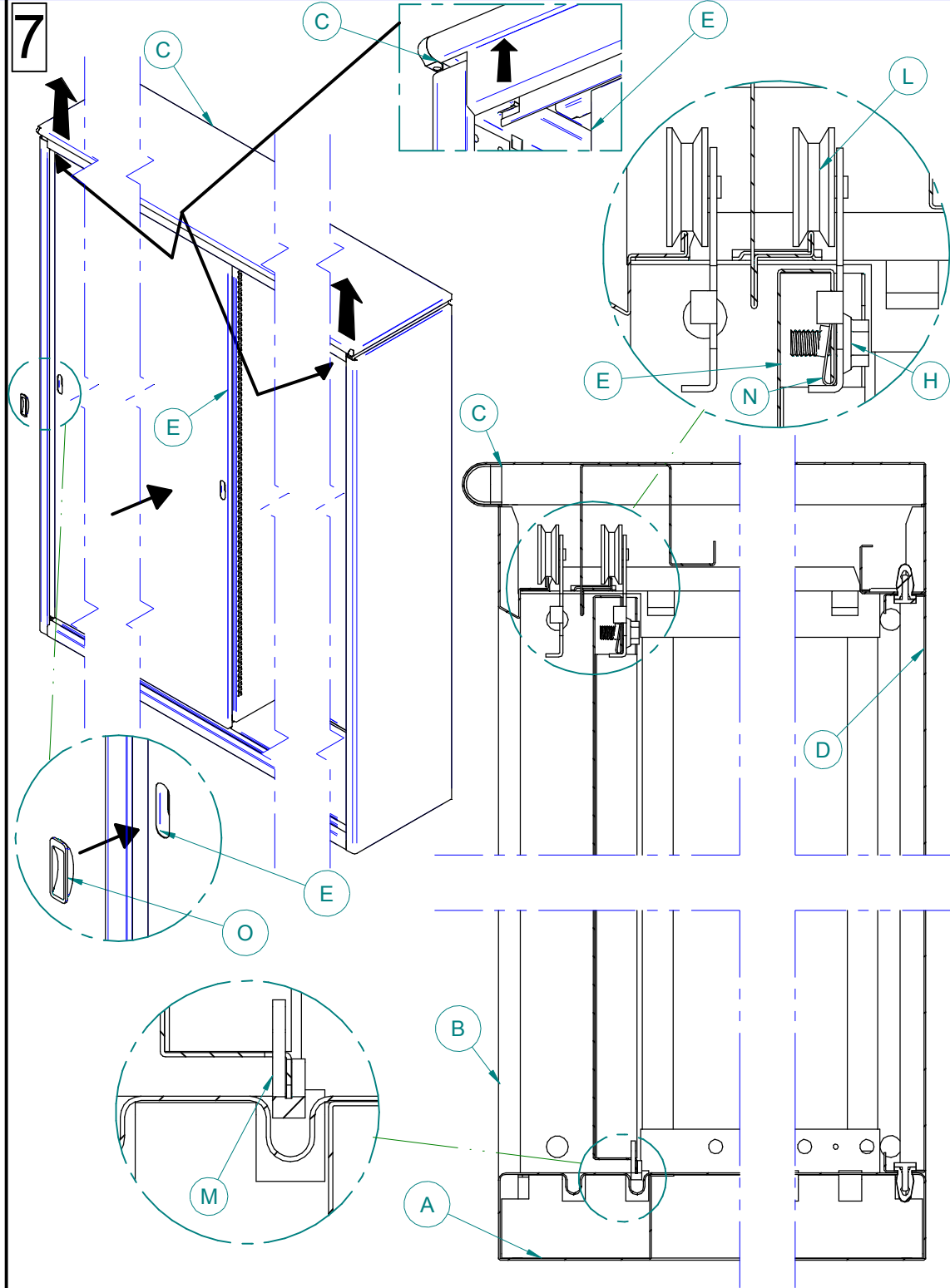


MOD.	H	I Type		L	M	N	O	P	Q	R	S
		A	B								
150/180x45x200H	4	23	23	4	4	4	2	16	1	1	1
150/180x45x150H	4	23	23	4	4	4	2	12	1	1	1
150/180x45x116H	4	20	20	4	4	4	2	8	1	1	1
150/180x45x85H	4	20	20	4	4	4	2	4	1	1	1
150/180x45x75H	4	20	20	4	4	4	2	4	1	1	1
150/1800x45x65H	4	20	20	4	4	4	2		1	1	1

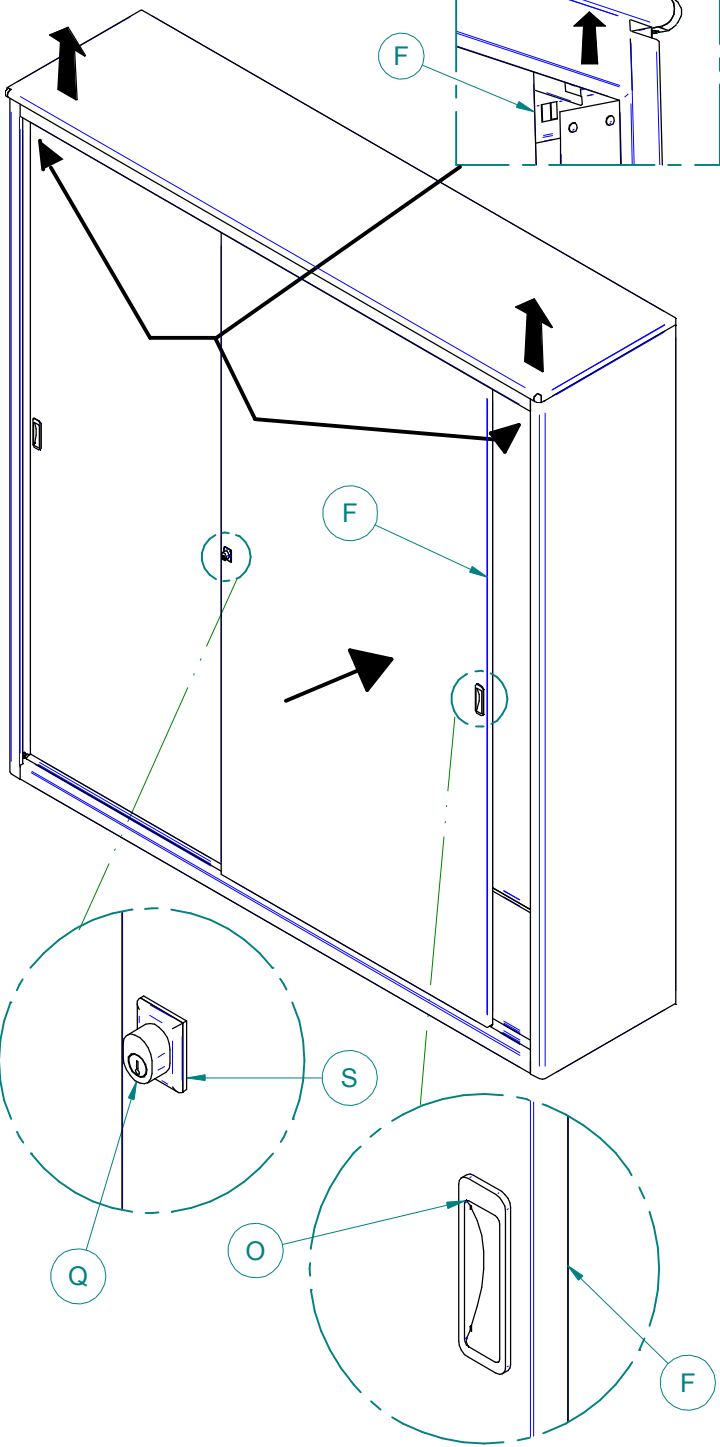
6



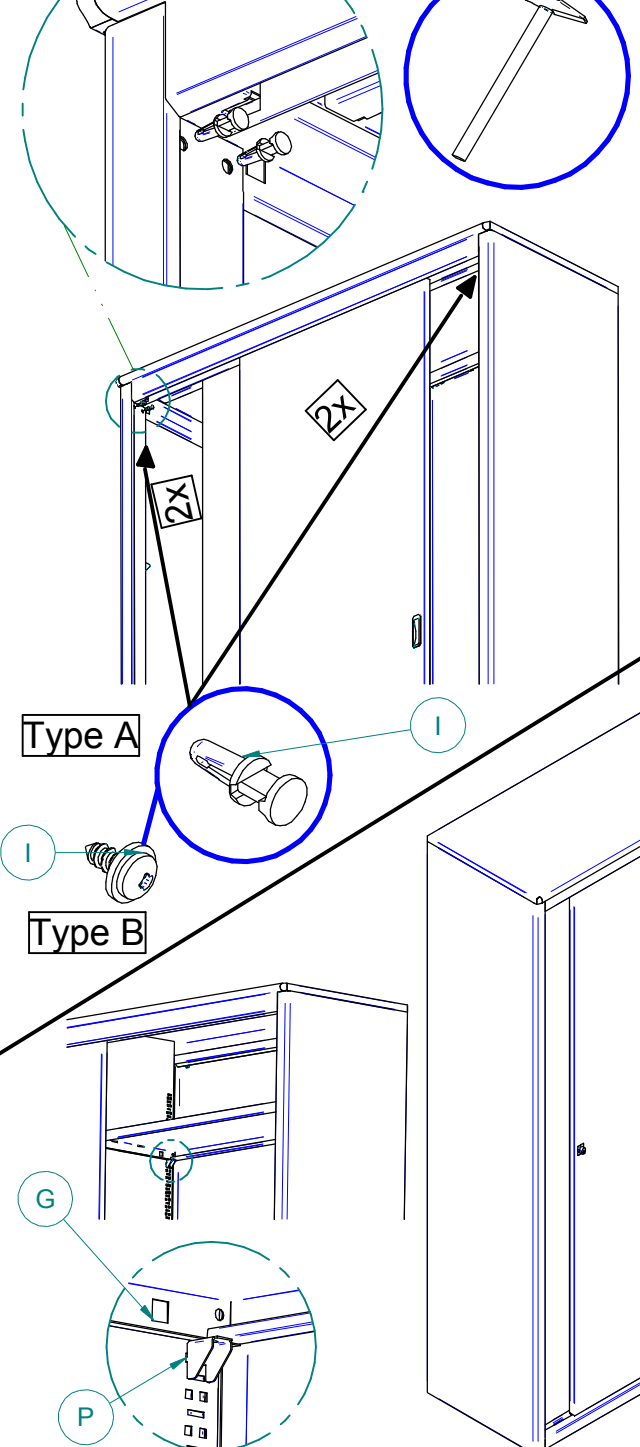
7



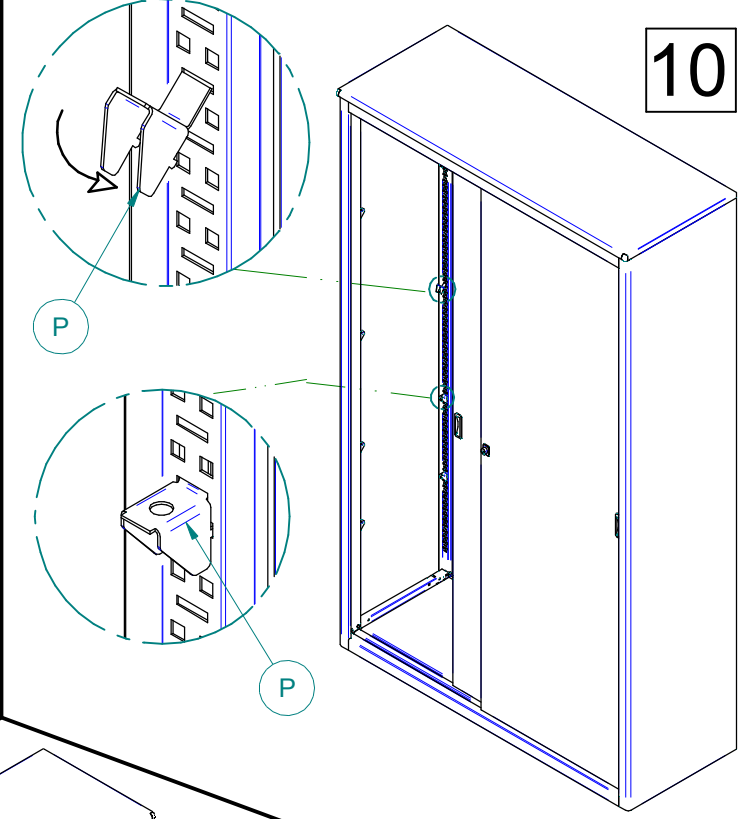
8



9



10



180 X 45 X 200H

11

