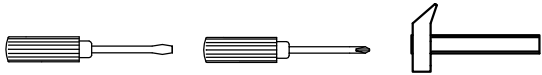
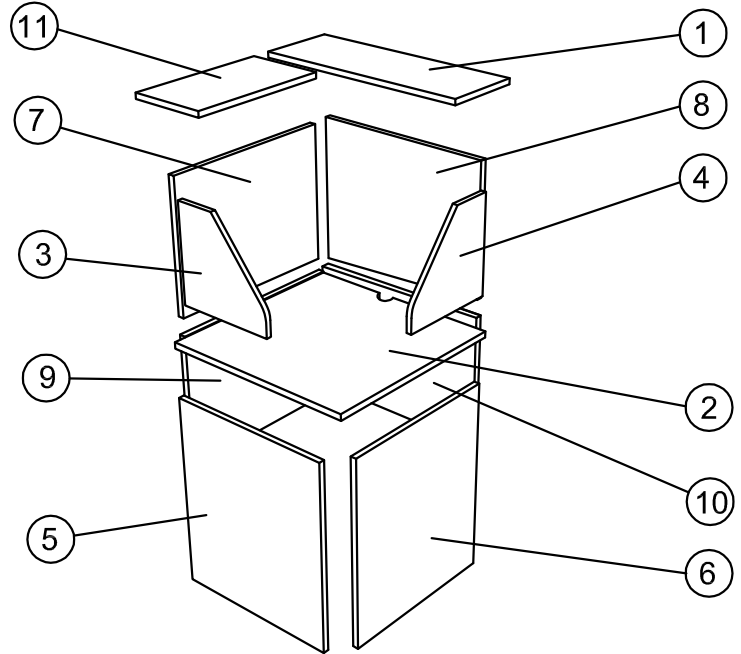
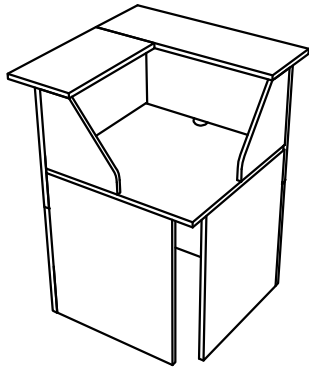

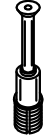

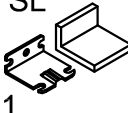


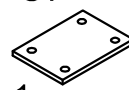


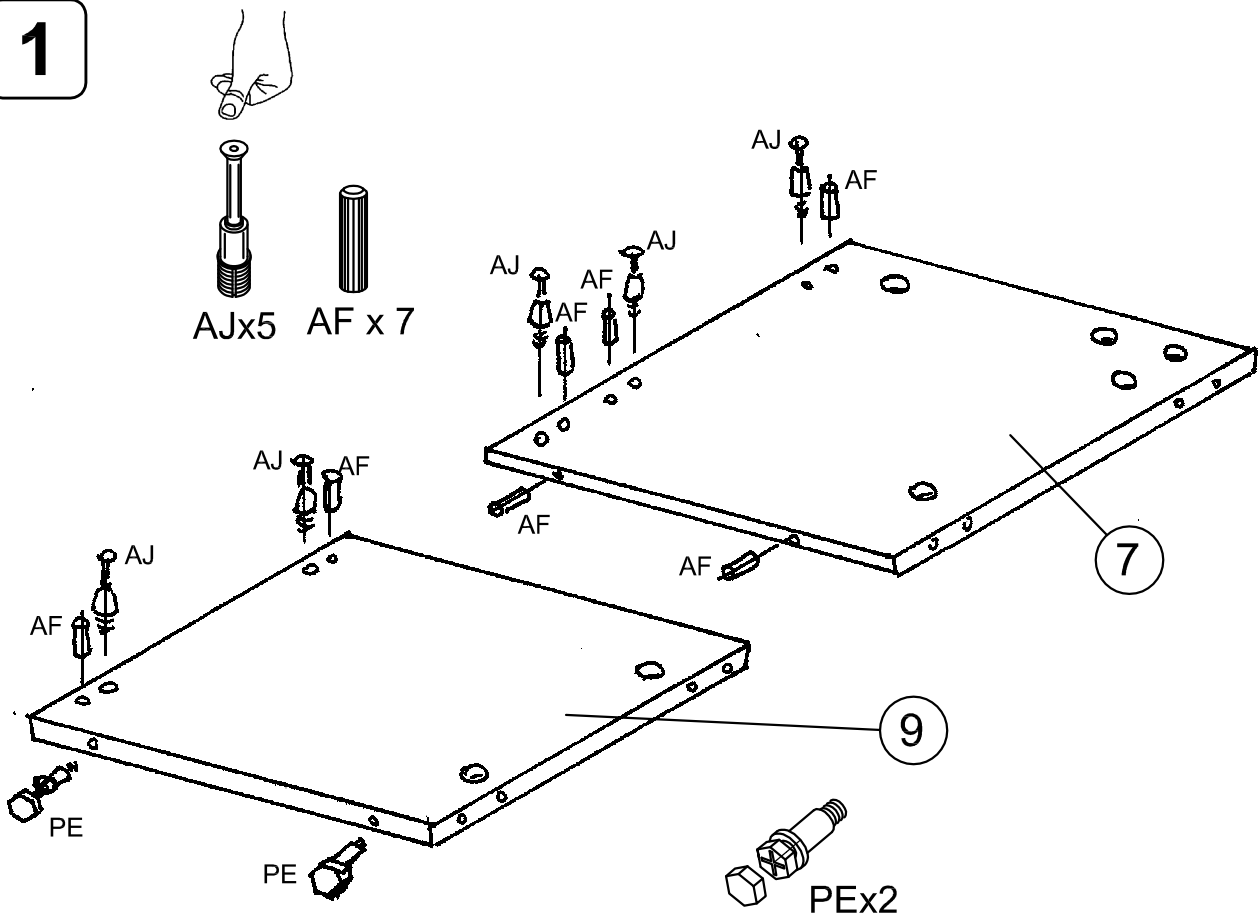


2824 COR + 2824 COF

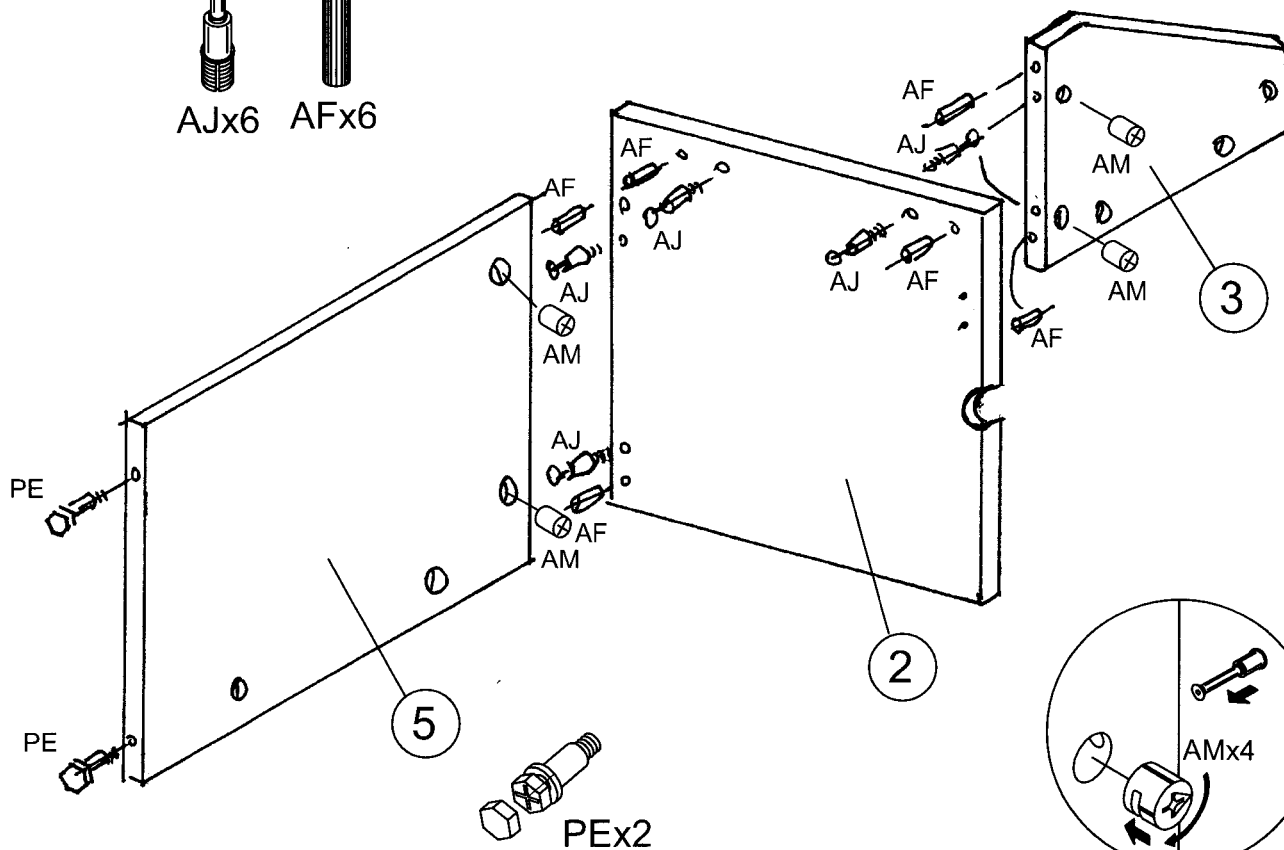
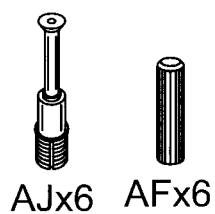


AF 34 	AJ 29 	AM 29 	SL 1 	VJ 4 	PE 8 	ST 1 	WQ 4 	VK 2 	
--	--	---	---	---	---	---	---	---	--

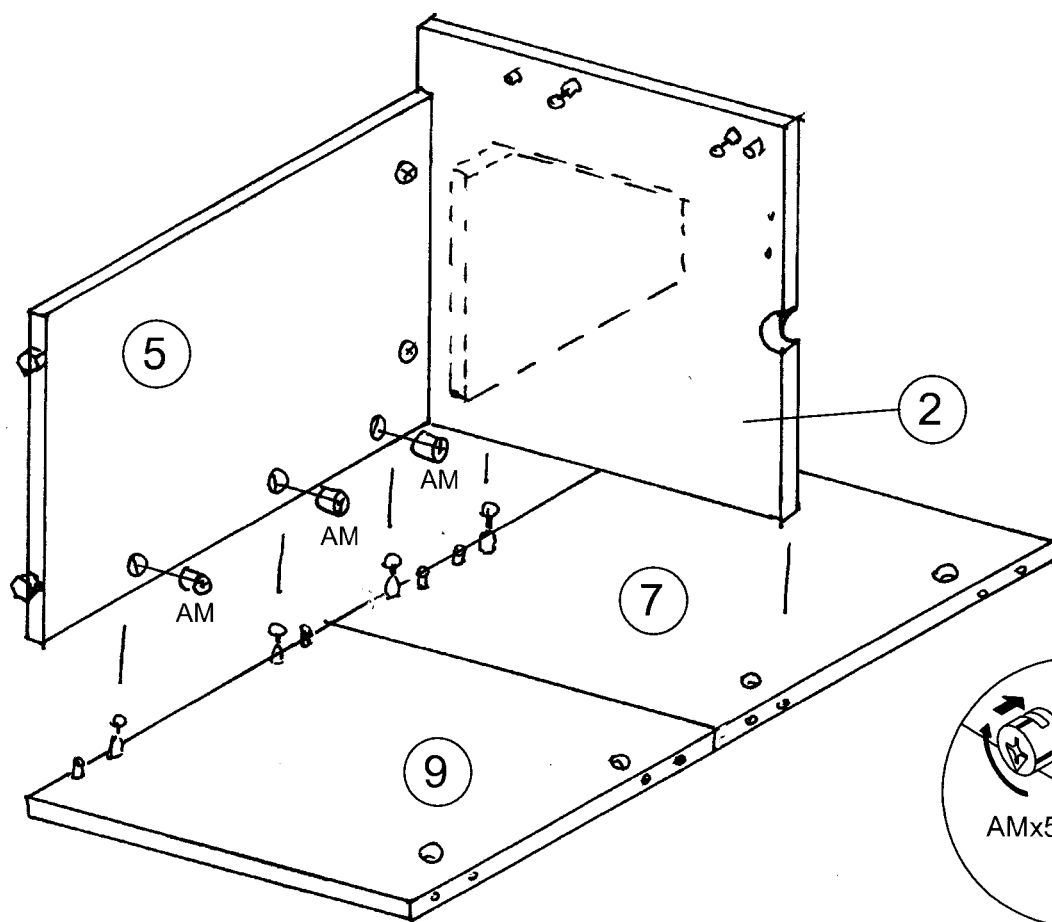
1



2

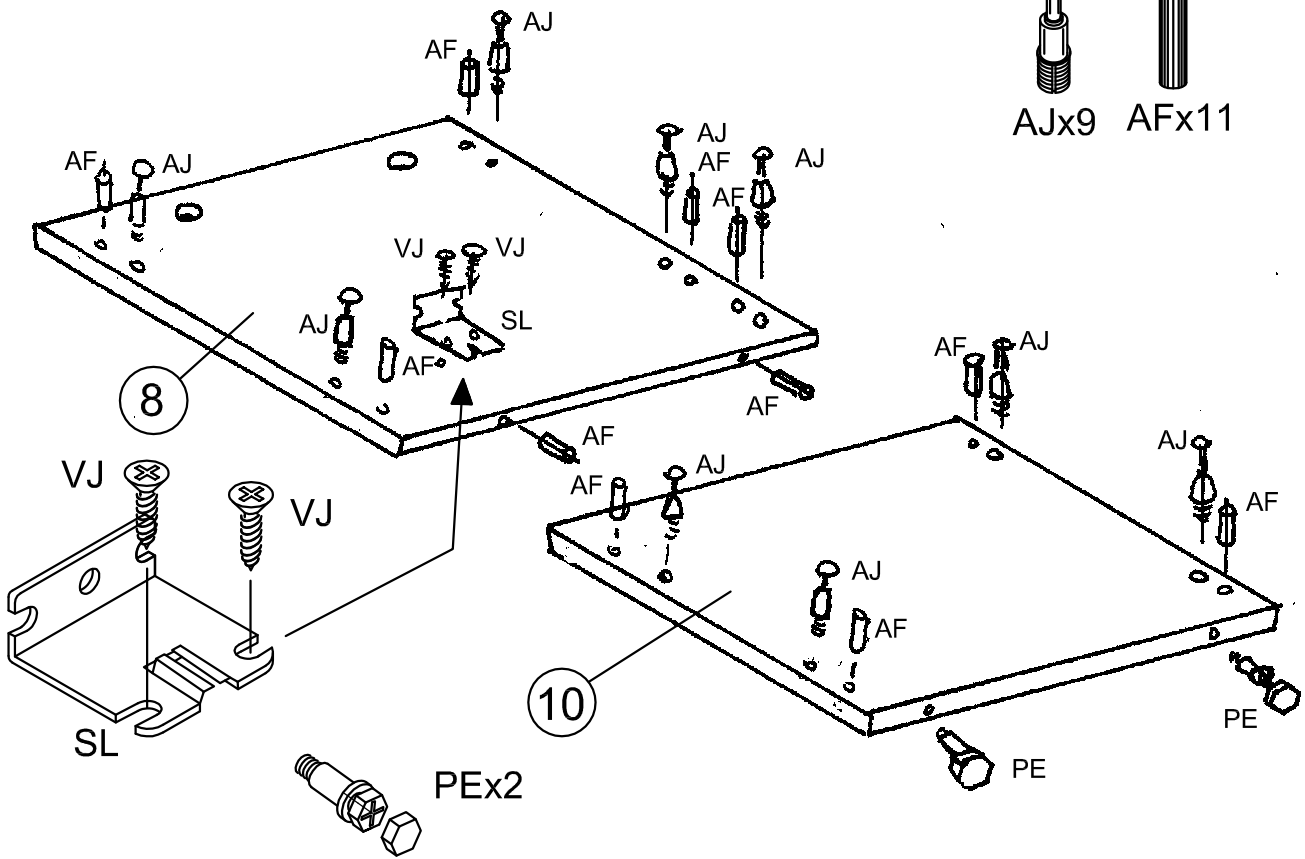
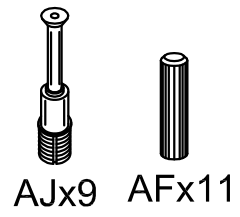


3

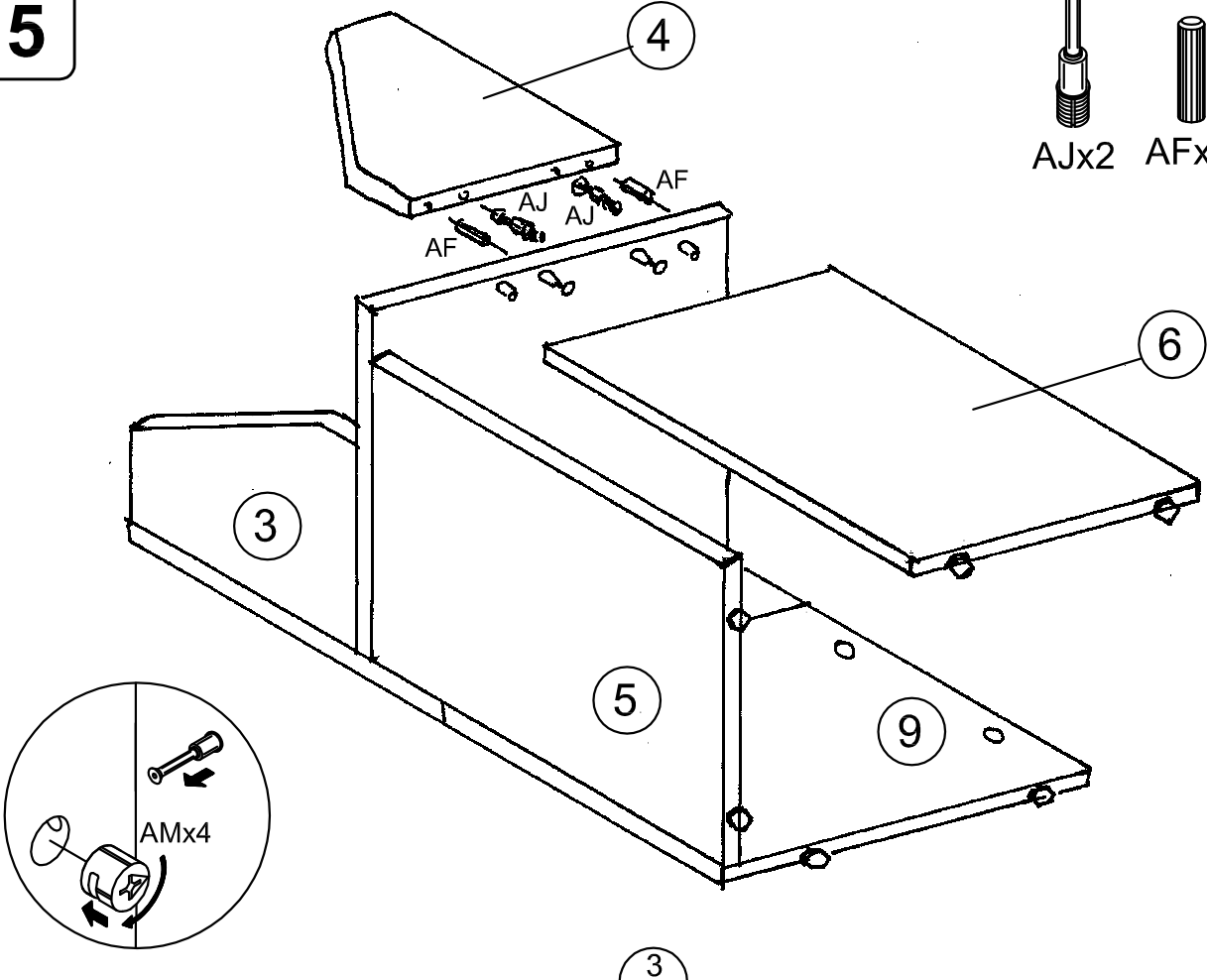
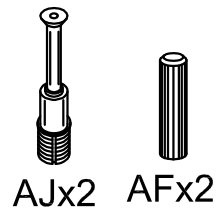


2

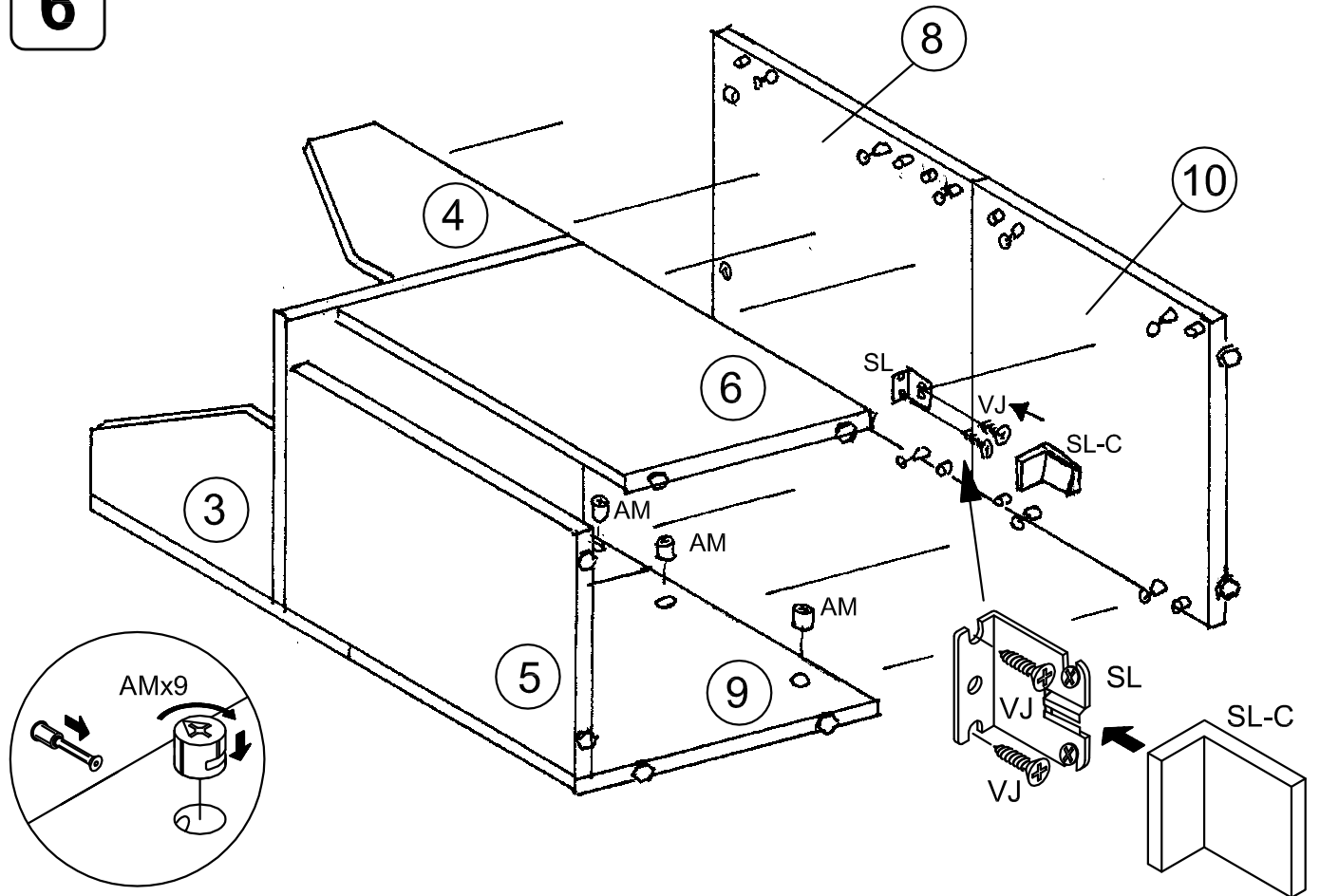
4



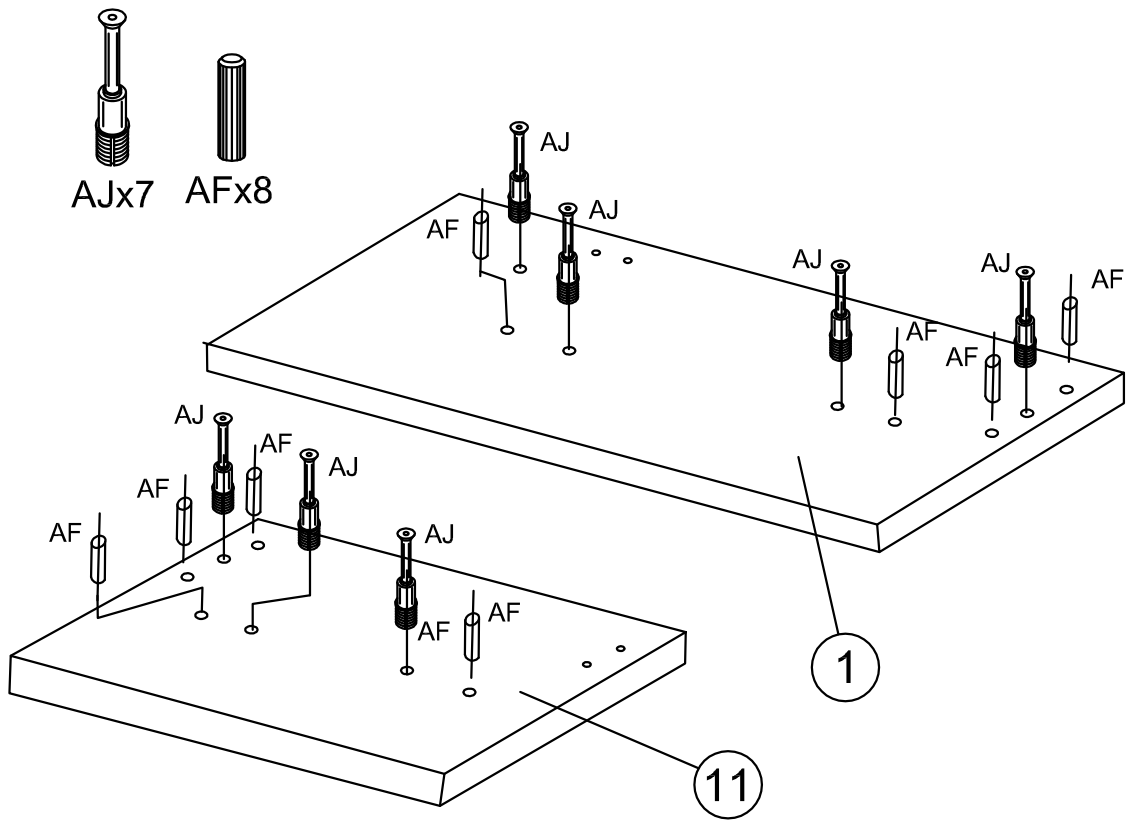
5



6



7

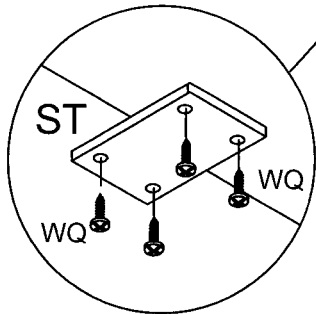
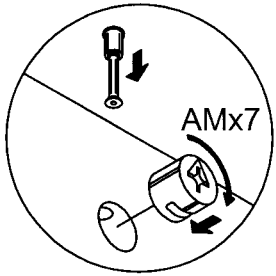


2824 COR

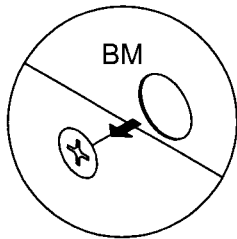
8

11

1



OPTION



3

7

8

4

9



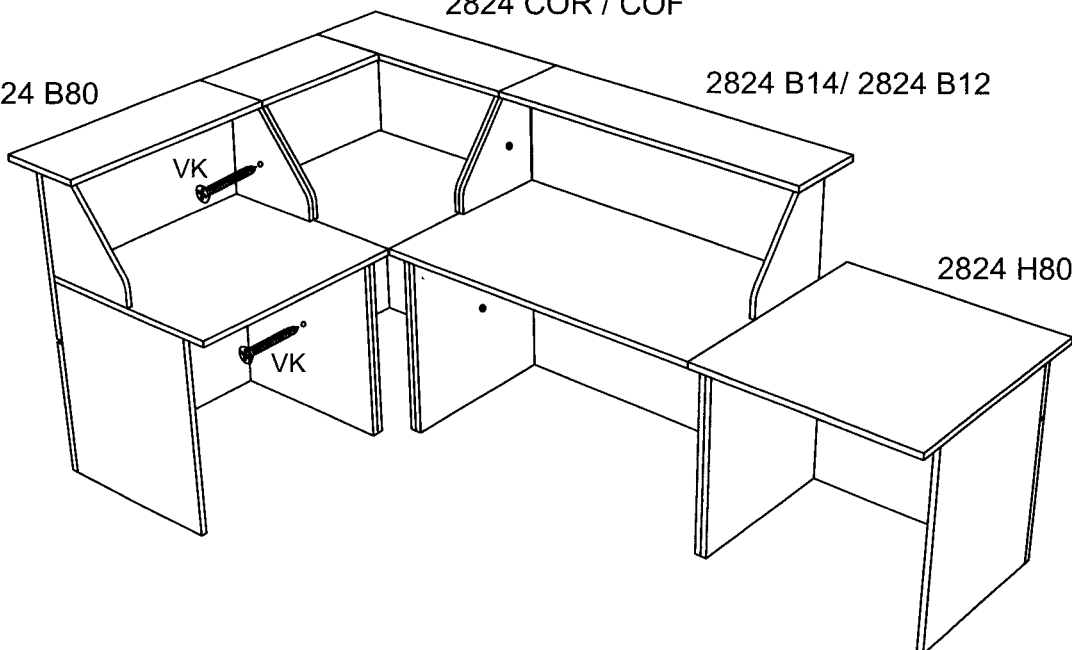
Esempio
Exemple
Example

2824 COR / COF

2824 B80

2824 B14/ 2824 B12

2824 H80



5