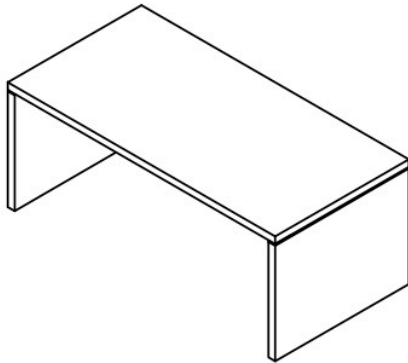


90111

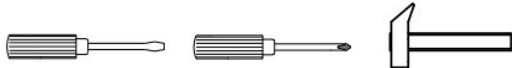
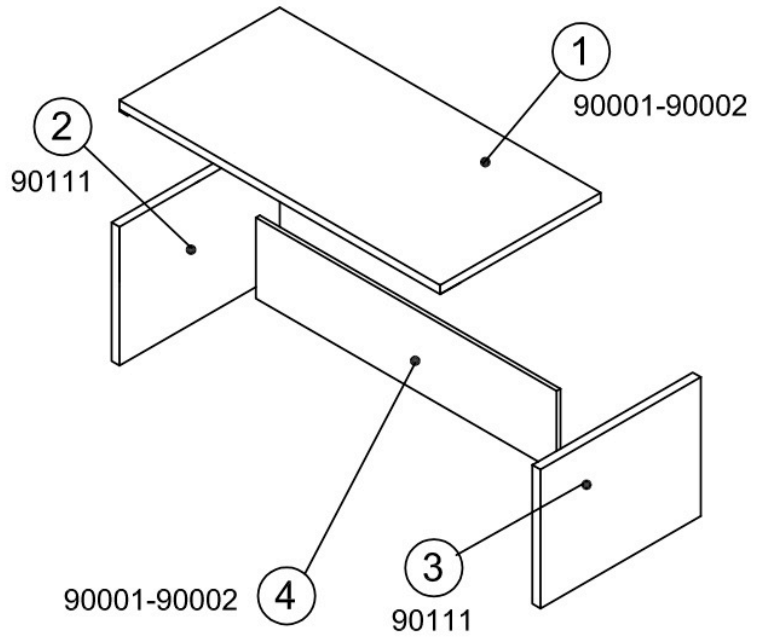
+ 90001/90002

FLORA

V2

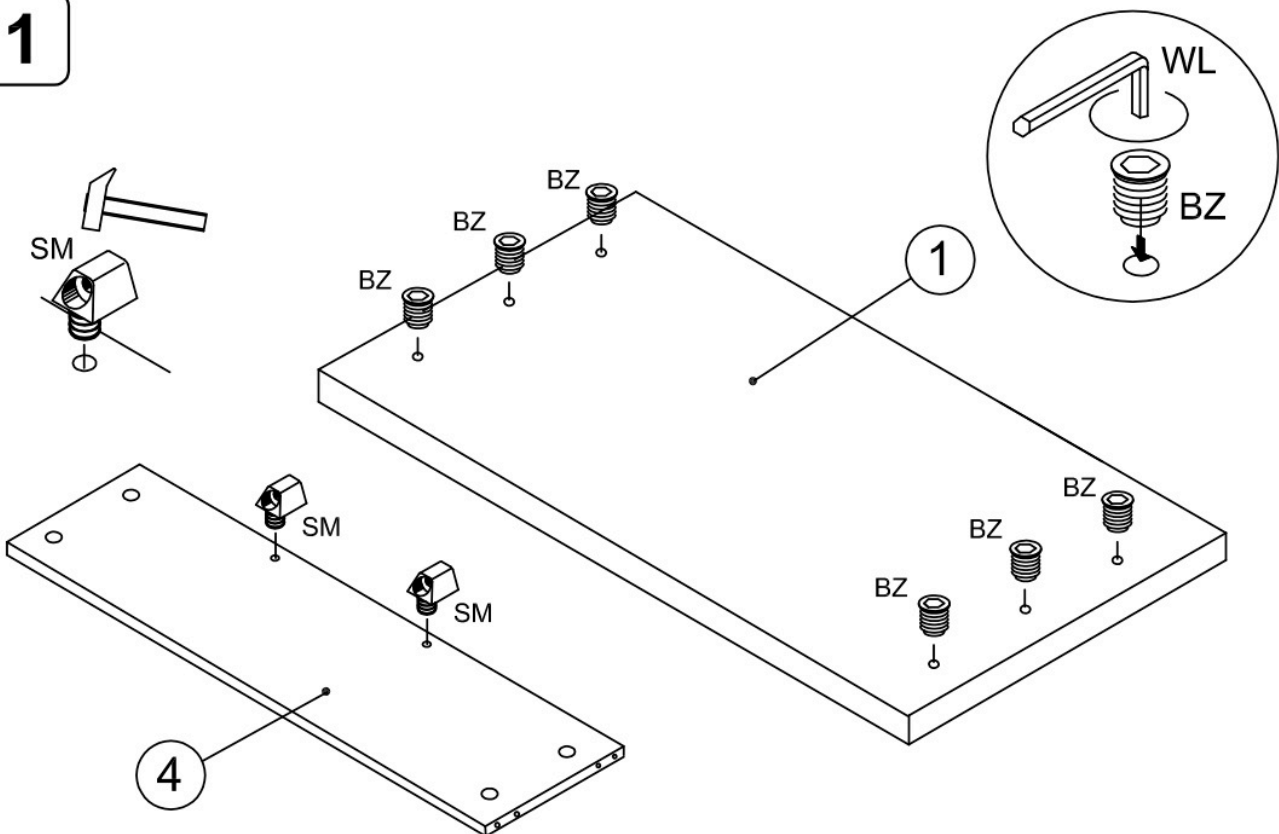


90001 L= 180 cm
90002 L= 210 cm

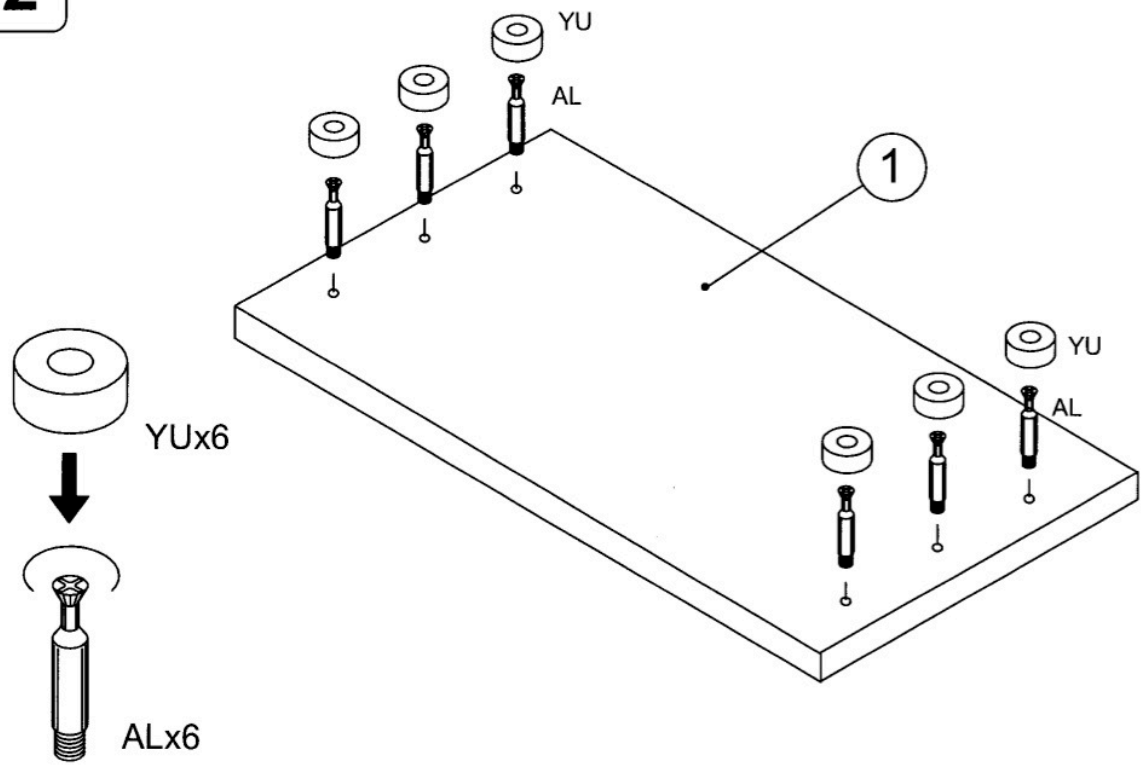


AF 4	AL 10	AM 10	SM 2	VC ⊕ 2	PJ 4	BZ 10	YU 6	AN 6	WL 1
---------	----------	----------	---------	-----------	---------	----------	---------	---------	---------

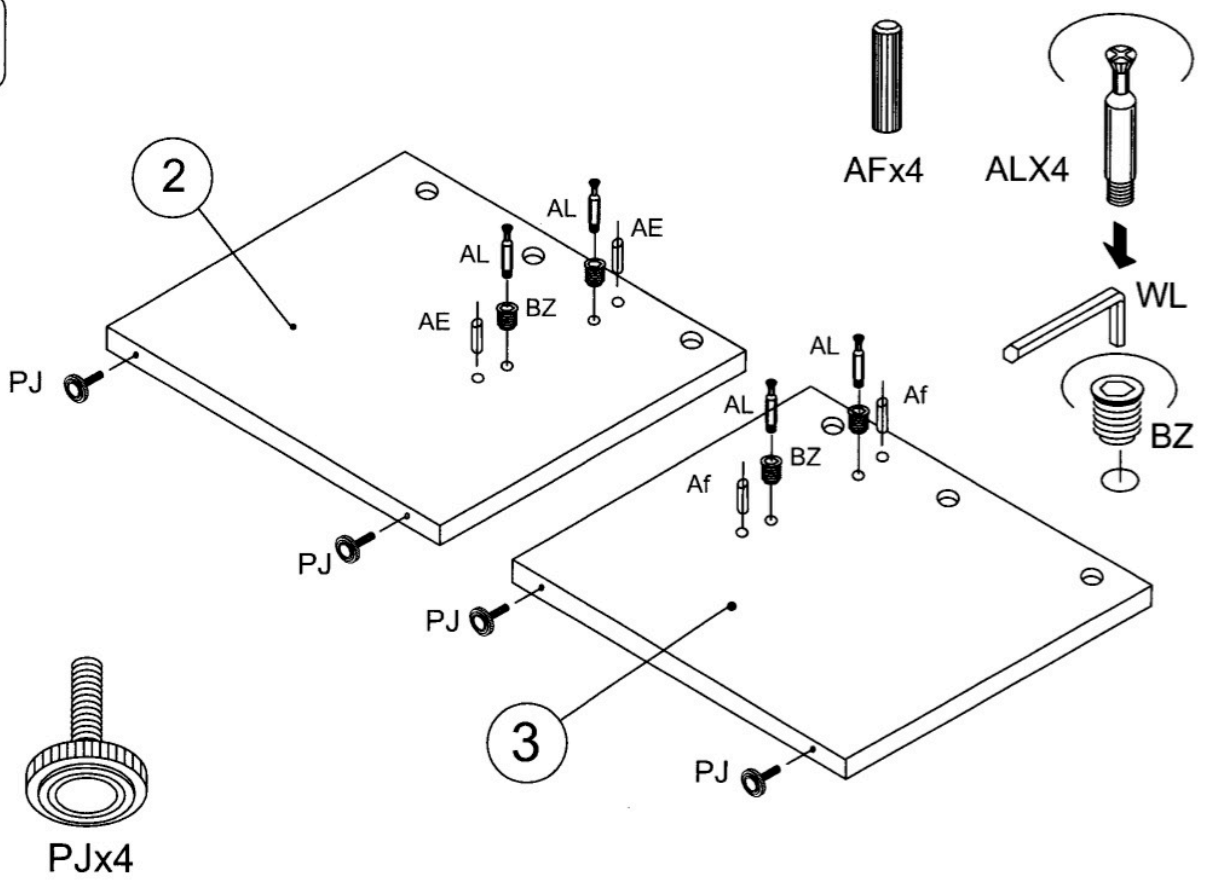
1



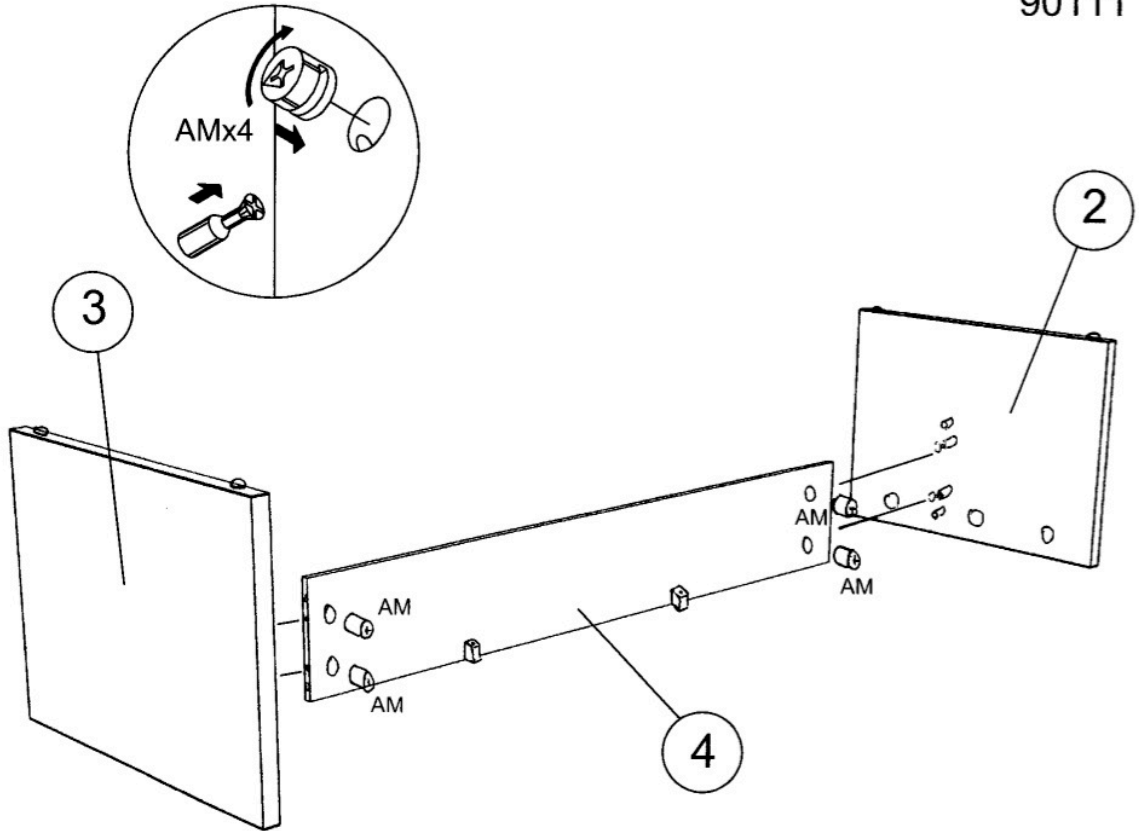
2



3



4



5

