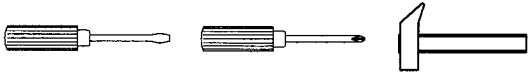
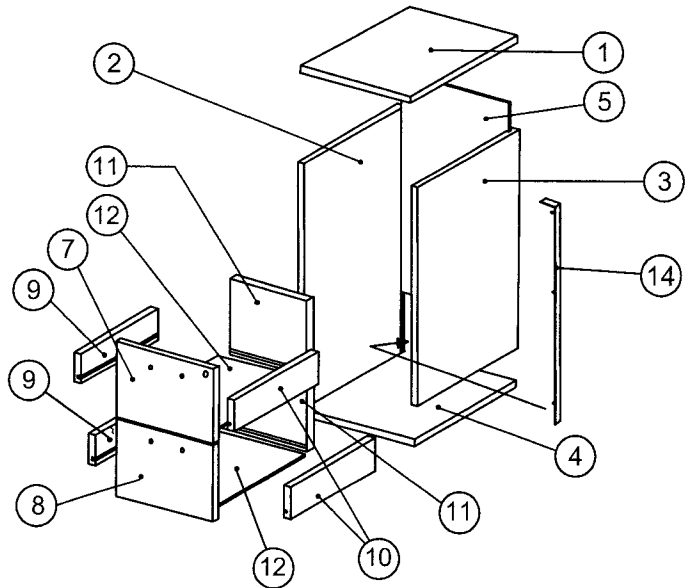
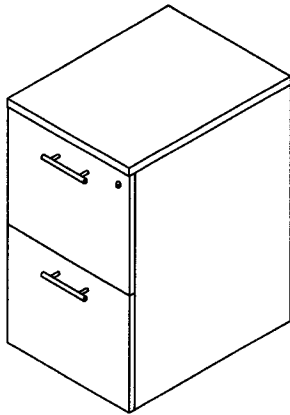


FILING 2 DRAWERS

2764.2

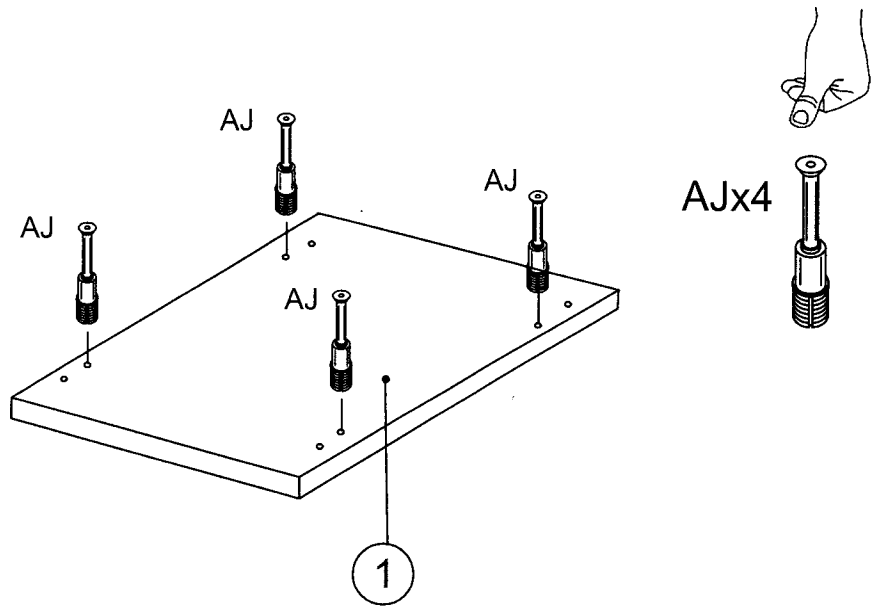


AE 16 	AJ 12 	AM 12 	LN 2 	VB ⊕ 6 	QN 1 	QZ 2 	VZ ⊕ 4 	PA 4 	WP 12
--------------	--------------	--------------	-------------	---------------	-------------	-------------	---------------	-------------	--------------

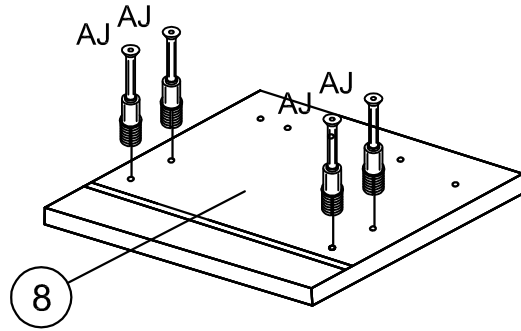
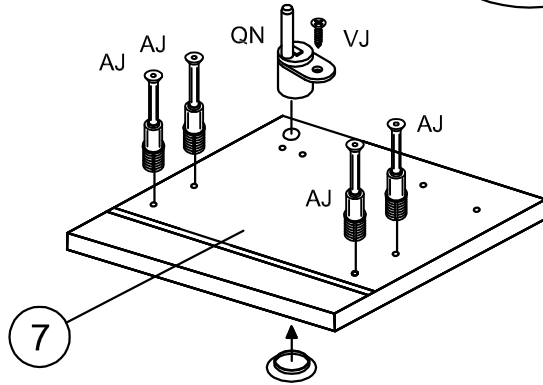
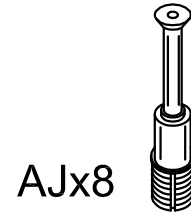
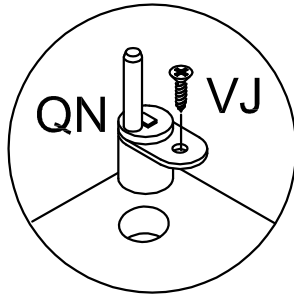
WA 8 	WE 1 	VA ⊕ 10 	VJ ⊕ 9 						
-------------	-------------	----------------	---------------	--	--	--	--	--	--

FD 2 	FE 2 	GM (R+L) 45 cm 2+2 	GN (R+L) 45 cm 2+2
-------------	-------------	---------------------------	---------------------------

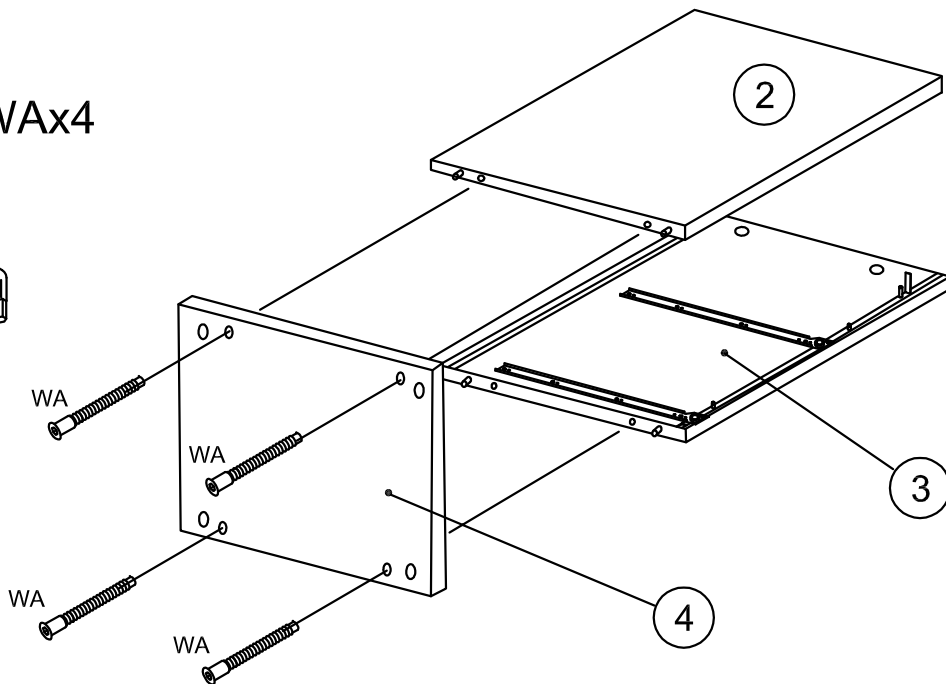
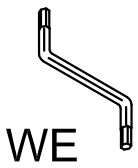
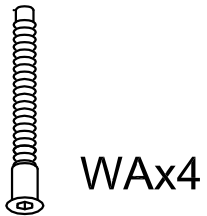
1



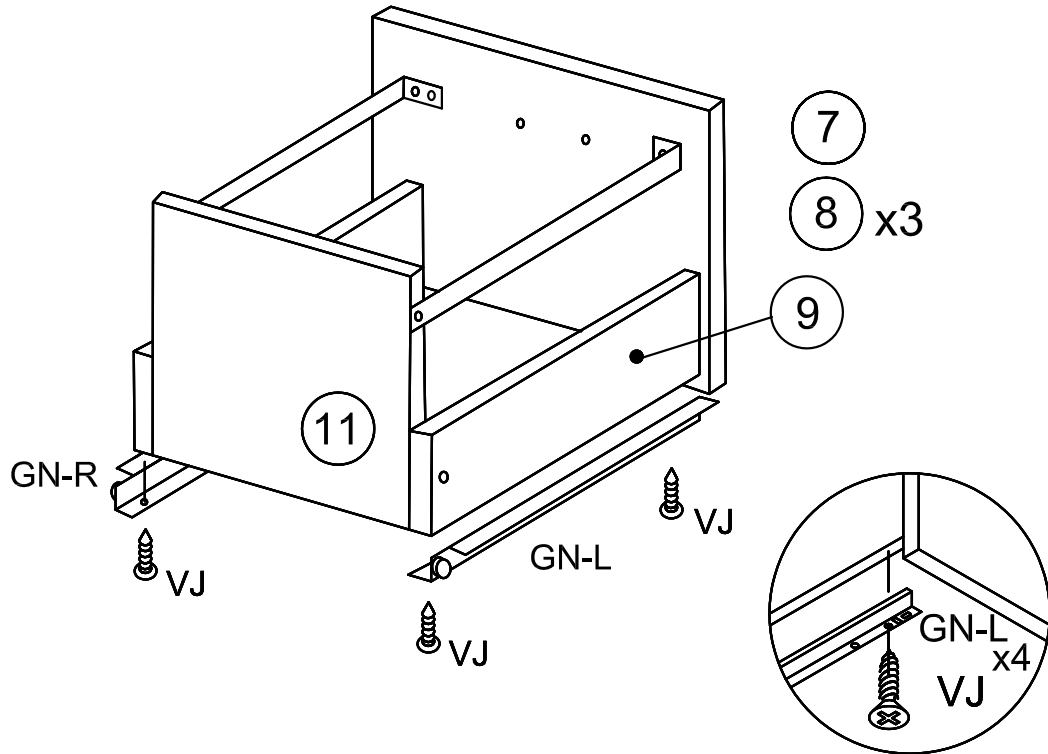
4



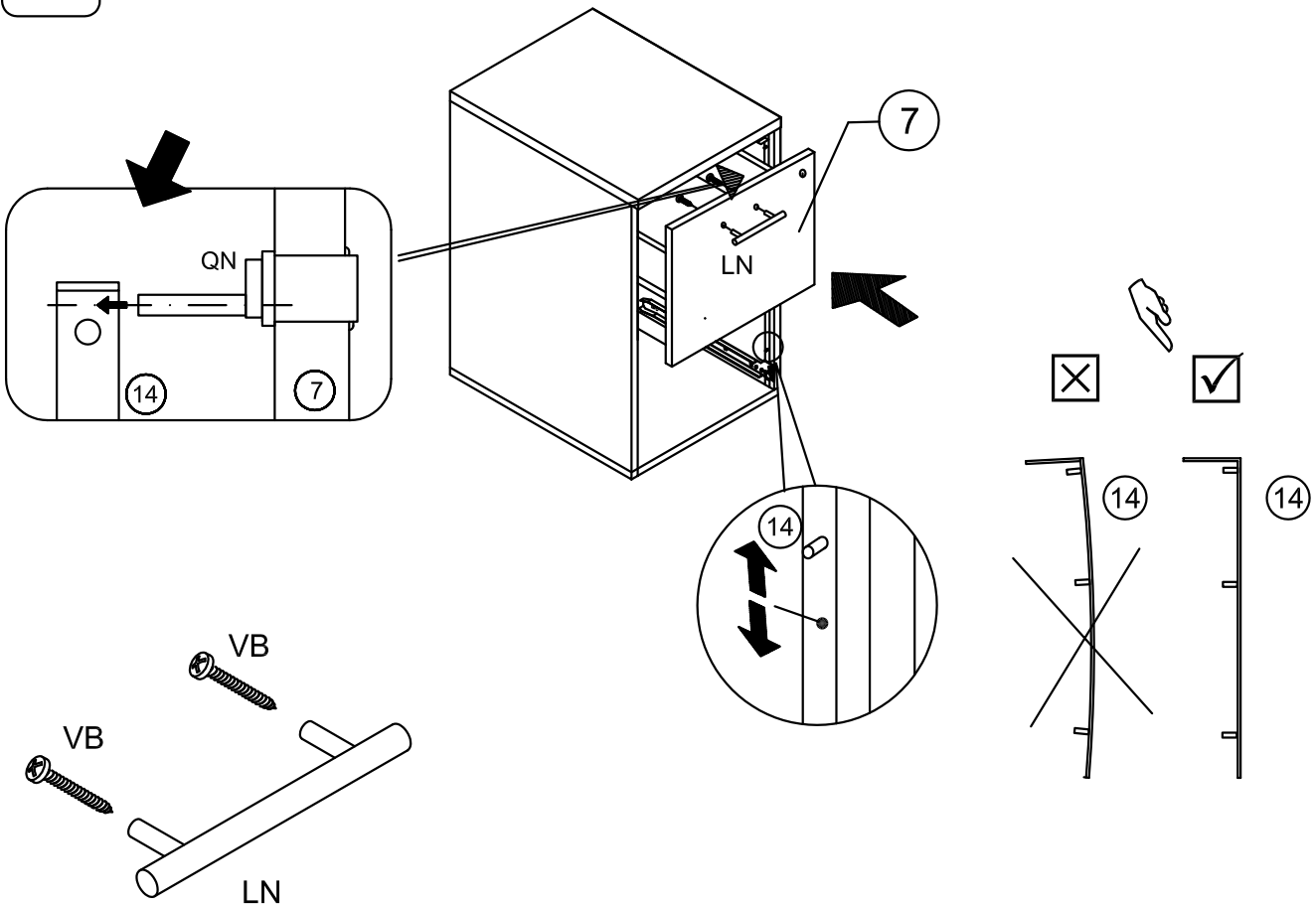
5



8



9



10

