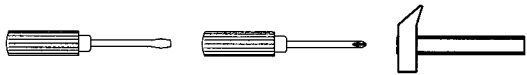
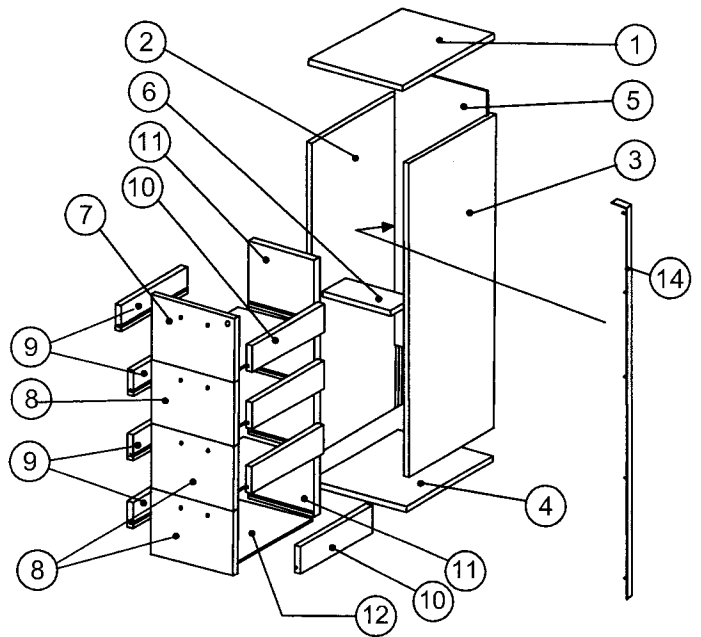
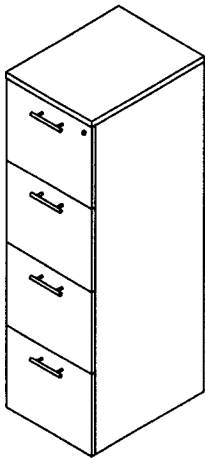


# FILING 4 DRAWERS

2764.4

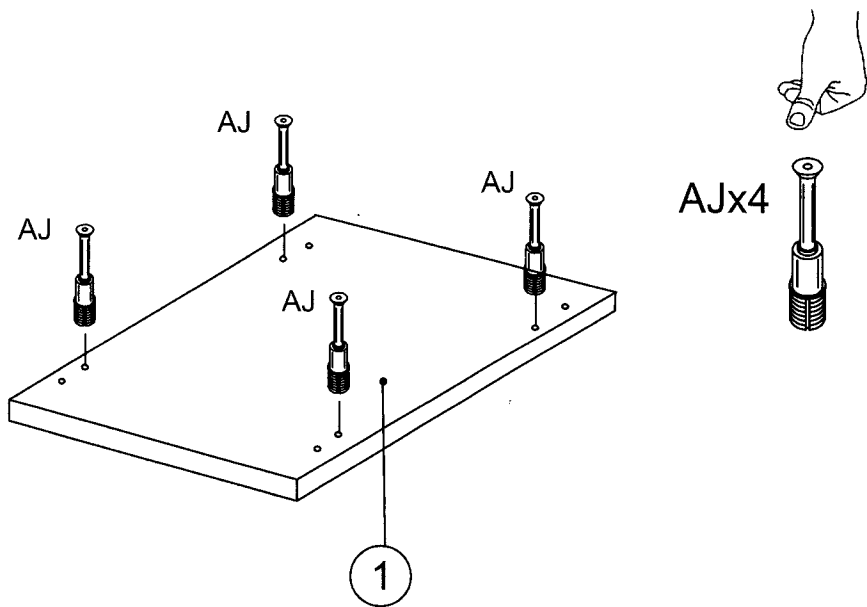


AE 28 	AJ 24 	AM 24 	LN 4 	VB ⊕ 12 	QN 1 	QZ 4 	VZ ⊕ 8 	PA 4 	WP 24 
--------------	--------------	--------------	-------------	----------------	-------------	-------------	---------------	-------------	--------------

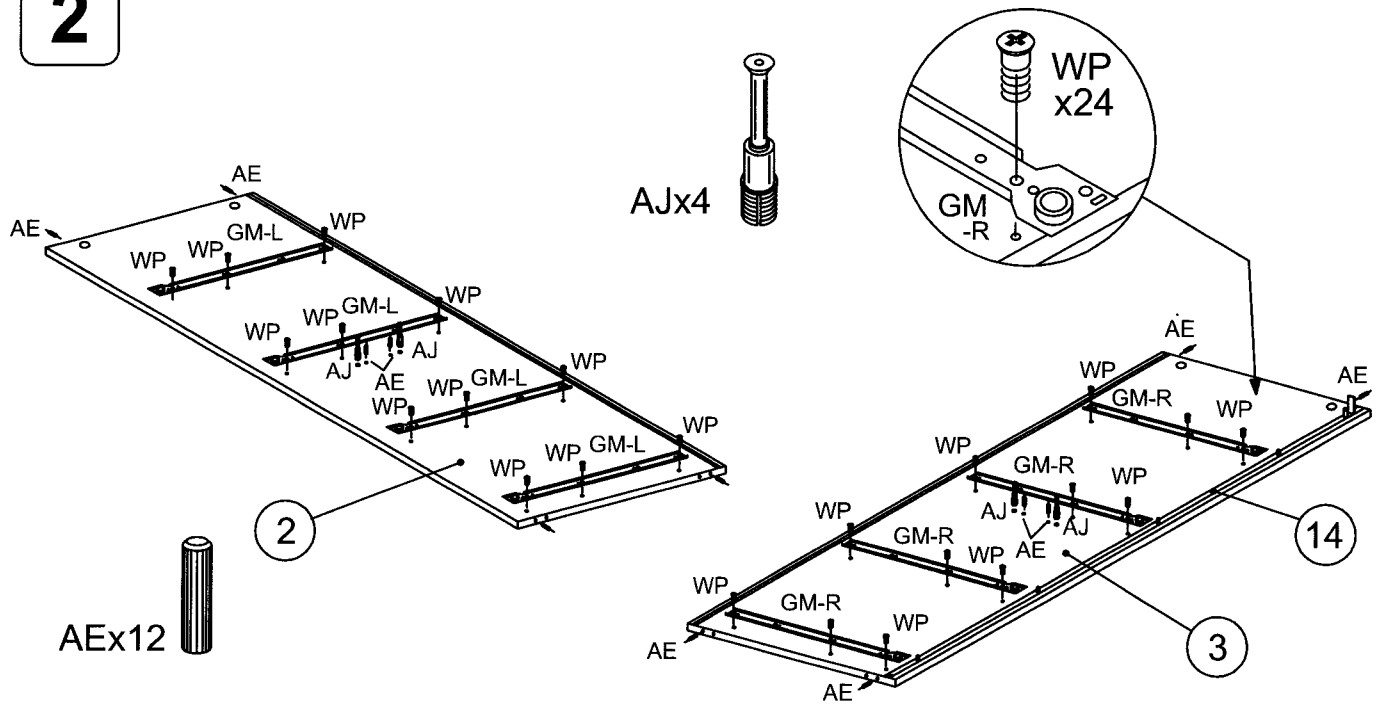
WA 12 	WE 1 	VA ⊕ 20 	VJ ⊕ 17 						
--------------	-------------	----------------	----------------	--	--	--	--	--	--

FD 4 	FE 4 	GM (R+L) 45 cm 4+4 	GN (R+L) 45 cm 4+4 
-------------	-------------	---------------------------	---------------------------

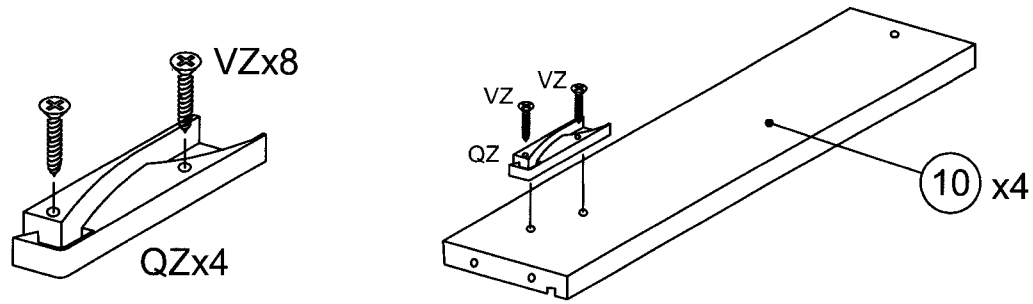
**1**



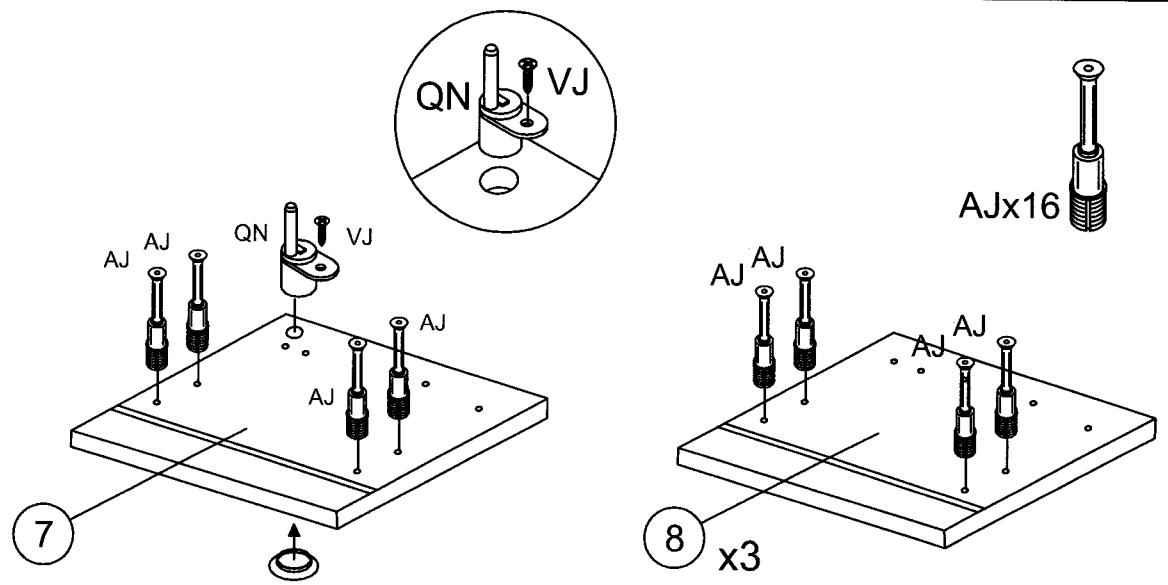
2



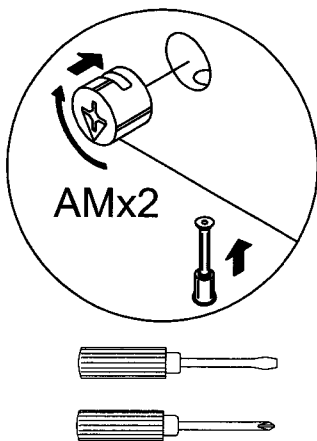
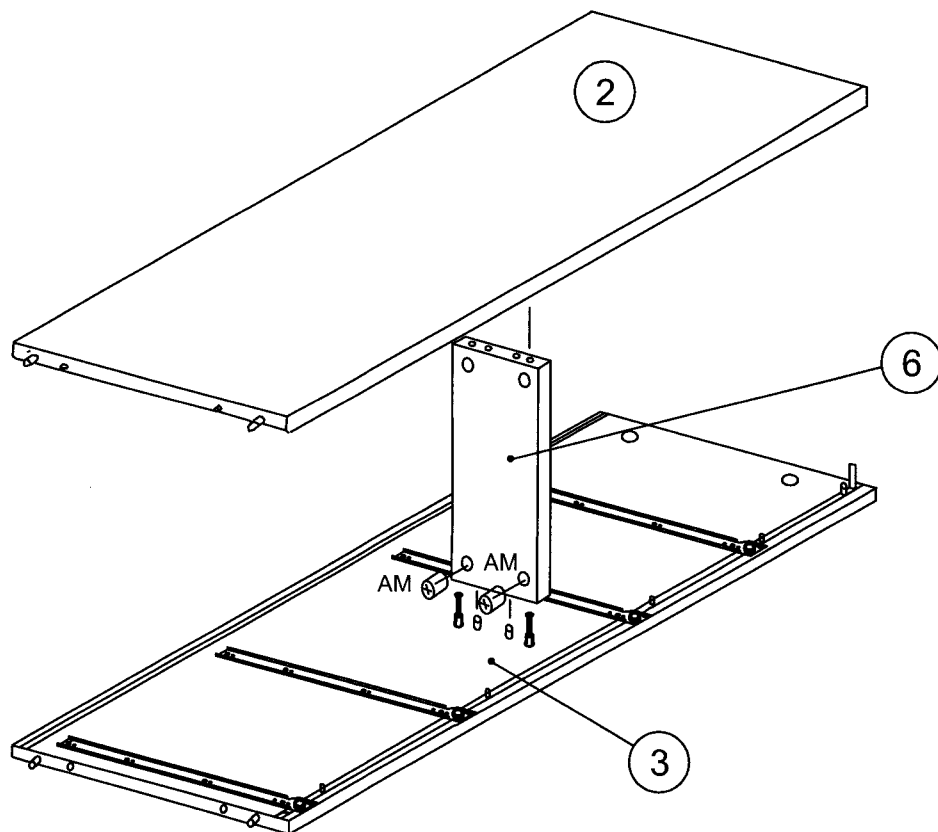
3



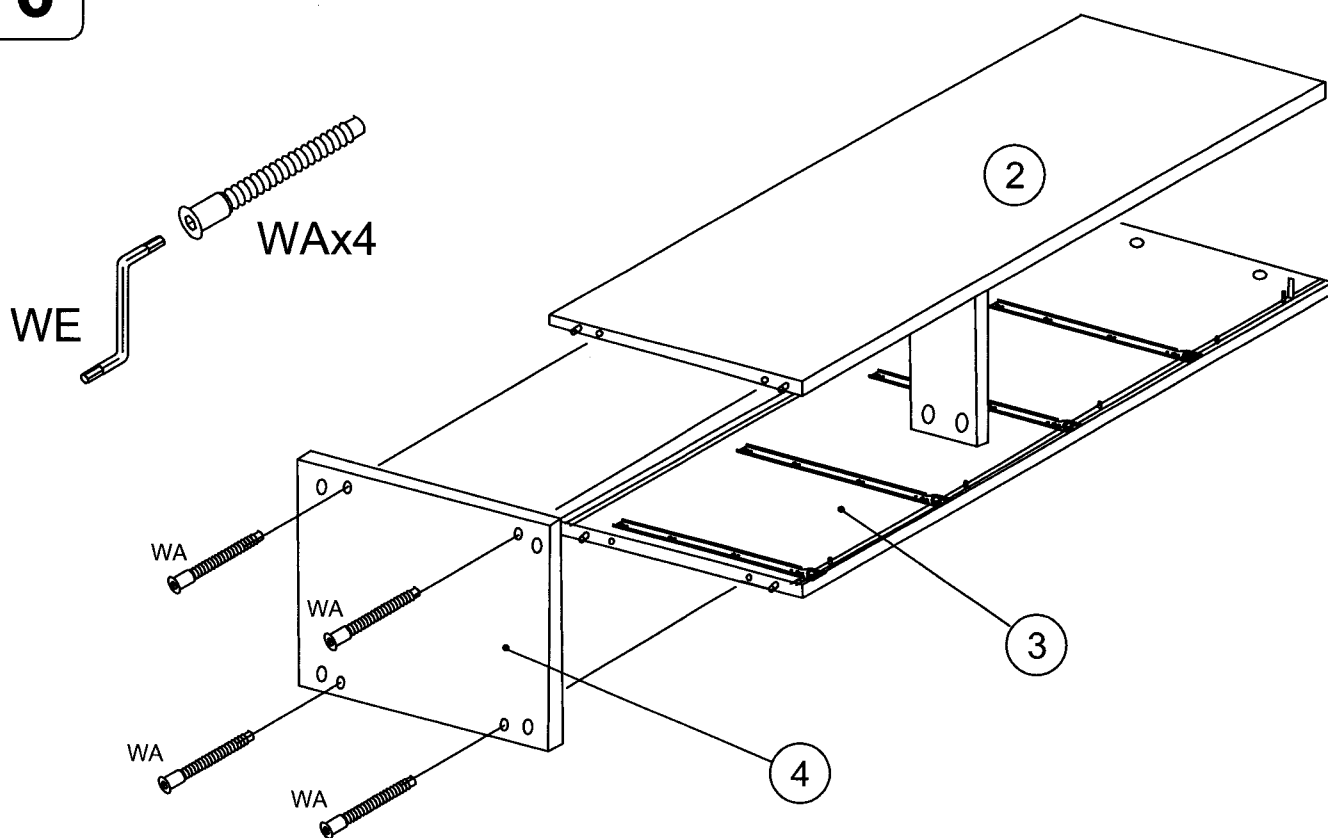
4



5

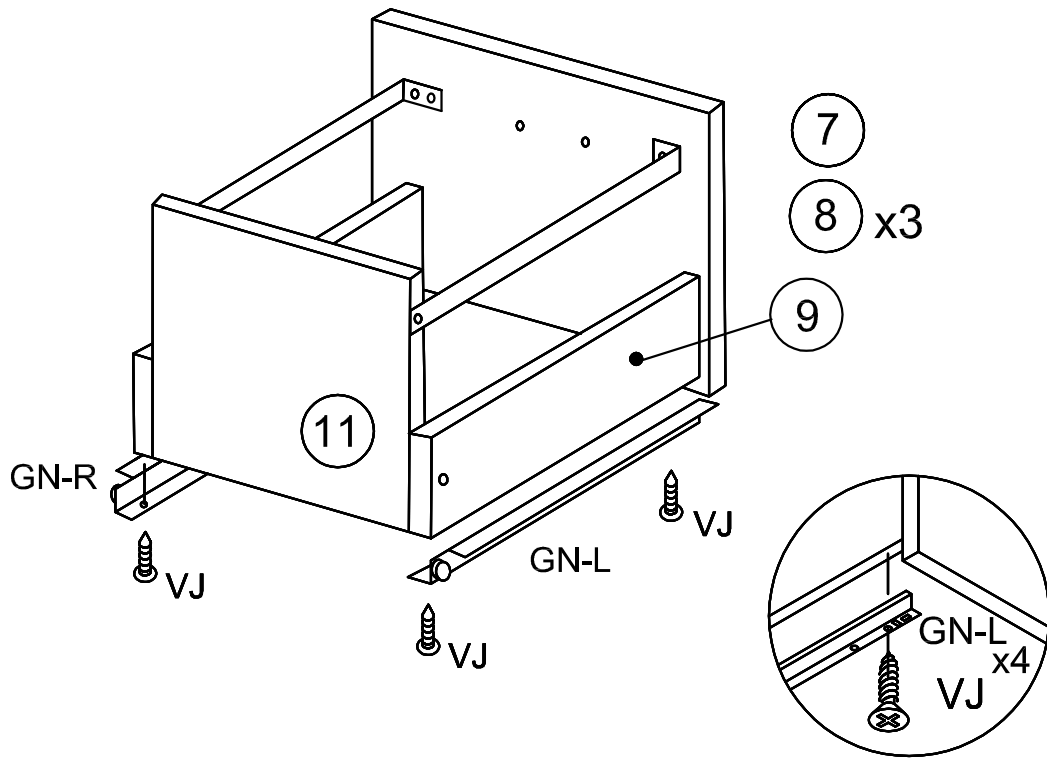


6

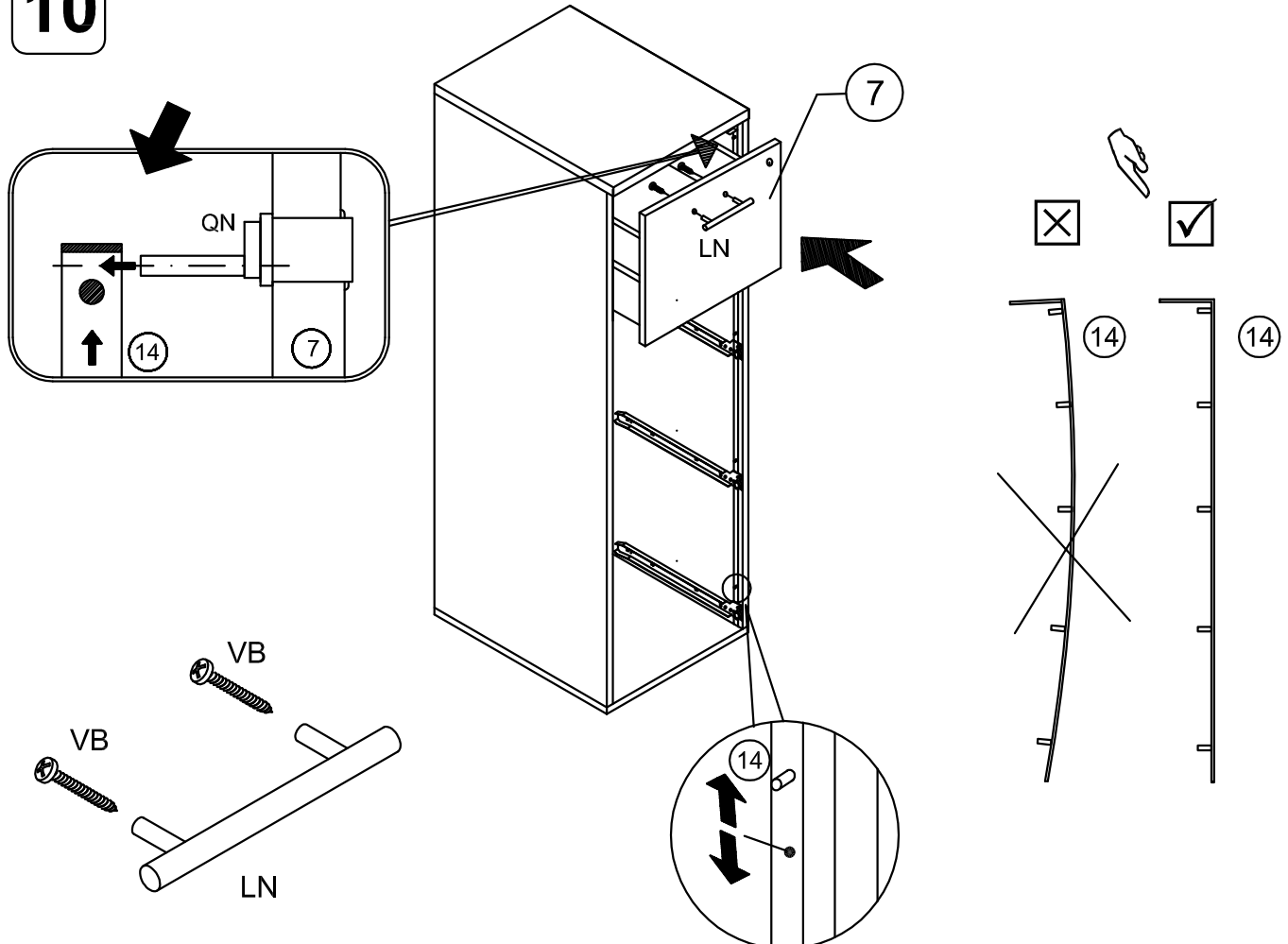




9



10



11

