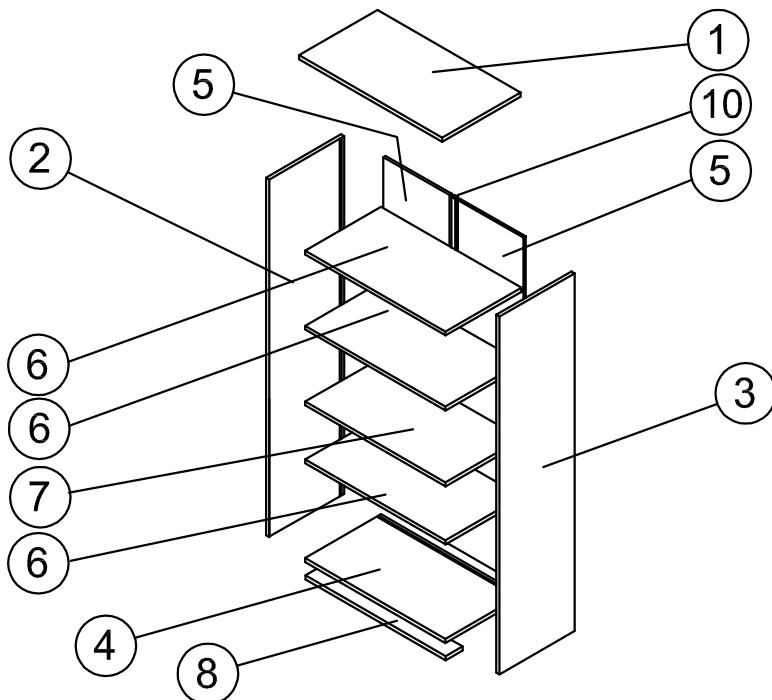
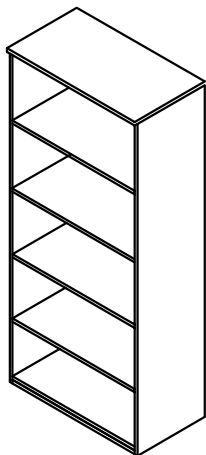
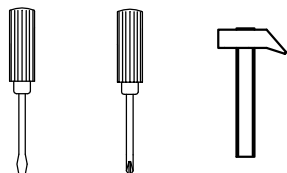







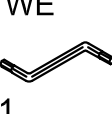




ISTRUZIONI DI MONTAGGIO - NOTICE DE MONTAGE - ASSEMBLY INSTRUCTIONS

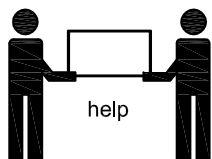
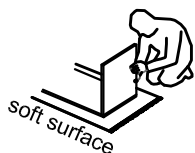


utensili necessari  
outils nécessaires  
tools required



AF 16 	AJ 12 	AM 12 	PA 2 	KF 12 	KG 12 	KH 16 	WE 1 	PZ 2 	VM 1 
---	---	---	--	---	---	--	--	--	--

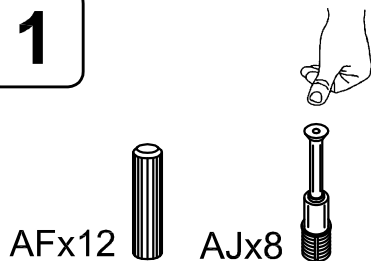
NOTES



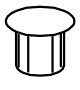


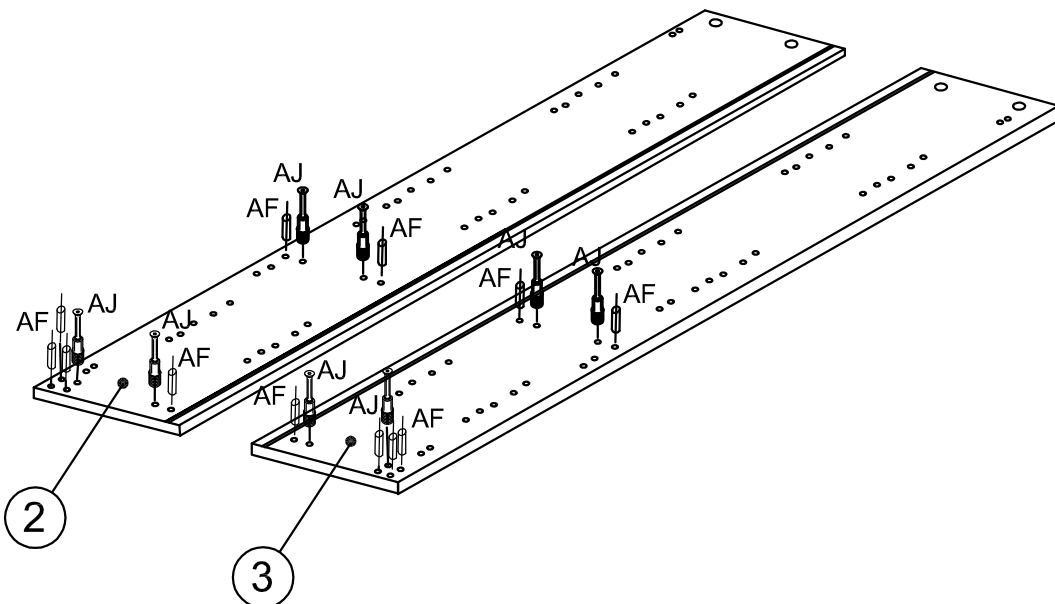
Instructions



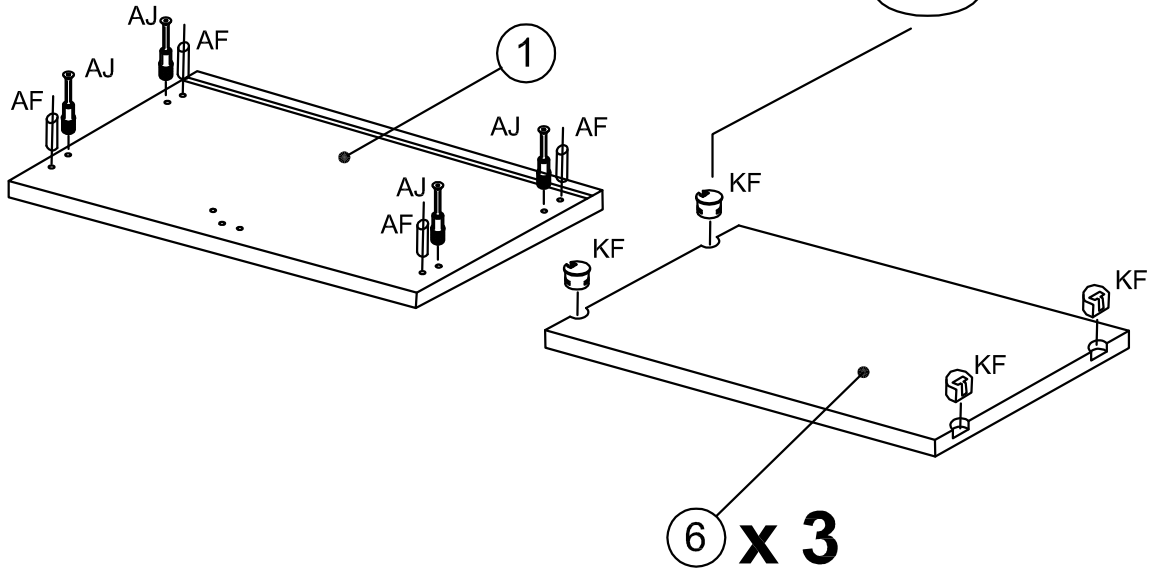
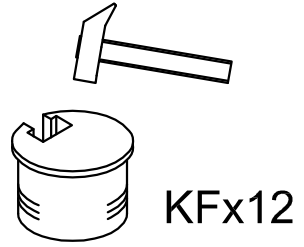
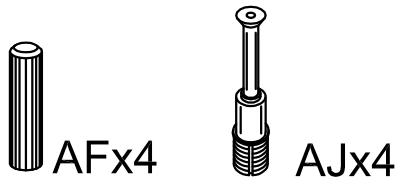
**1**



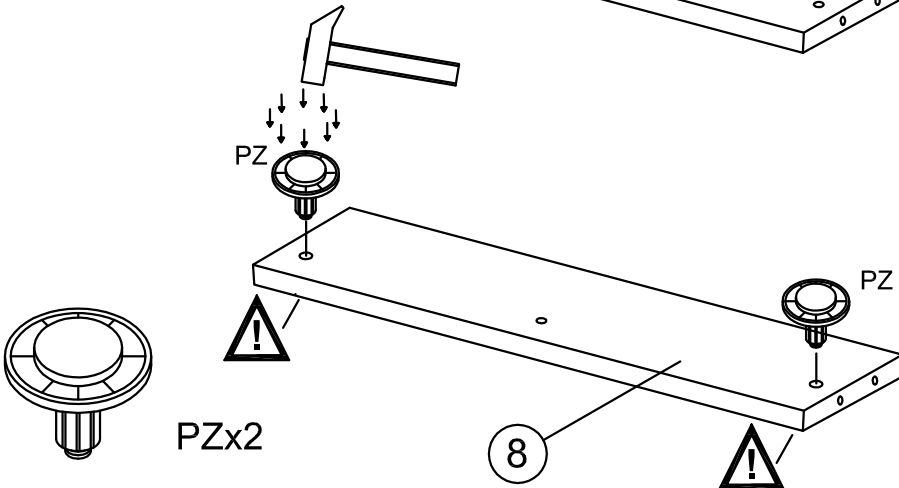
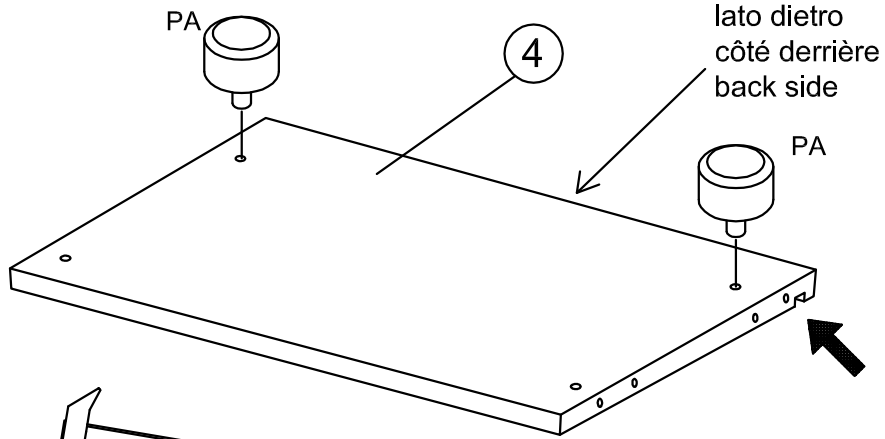
SN 10 	VZ 10 	TA 2 
---	---	--



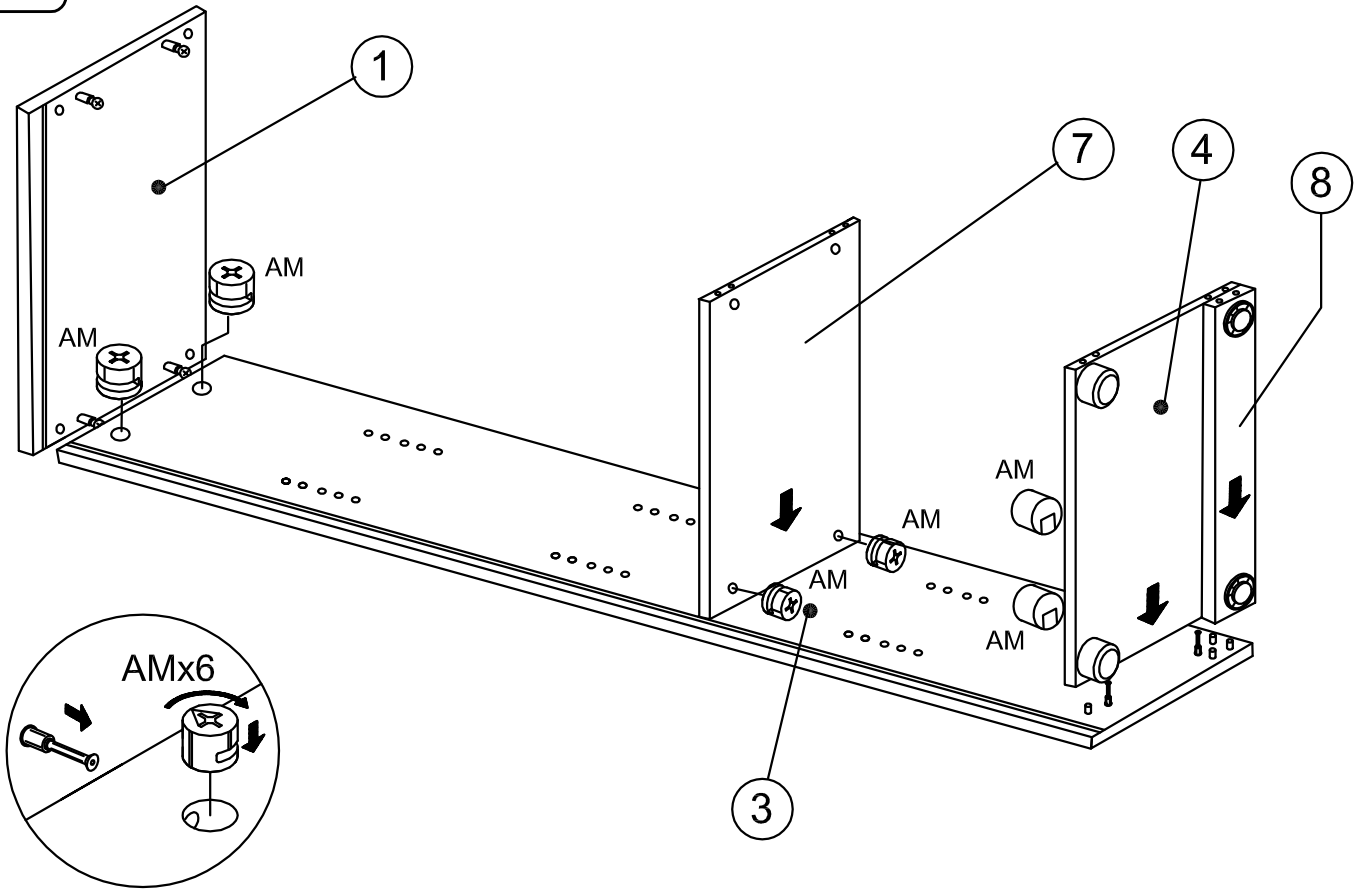
**2**



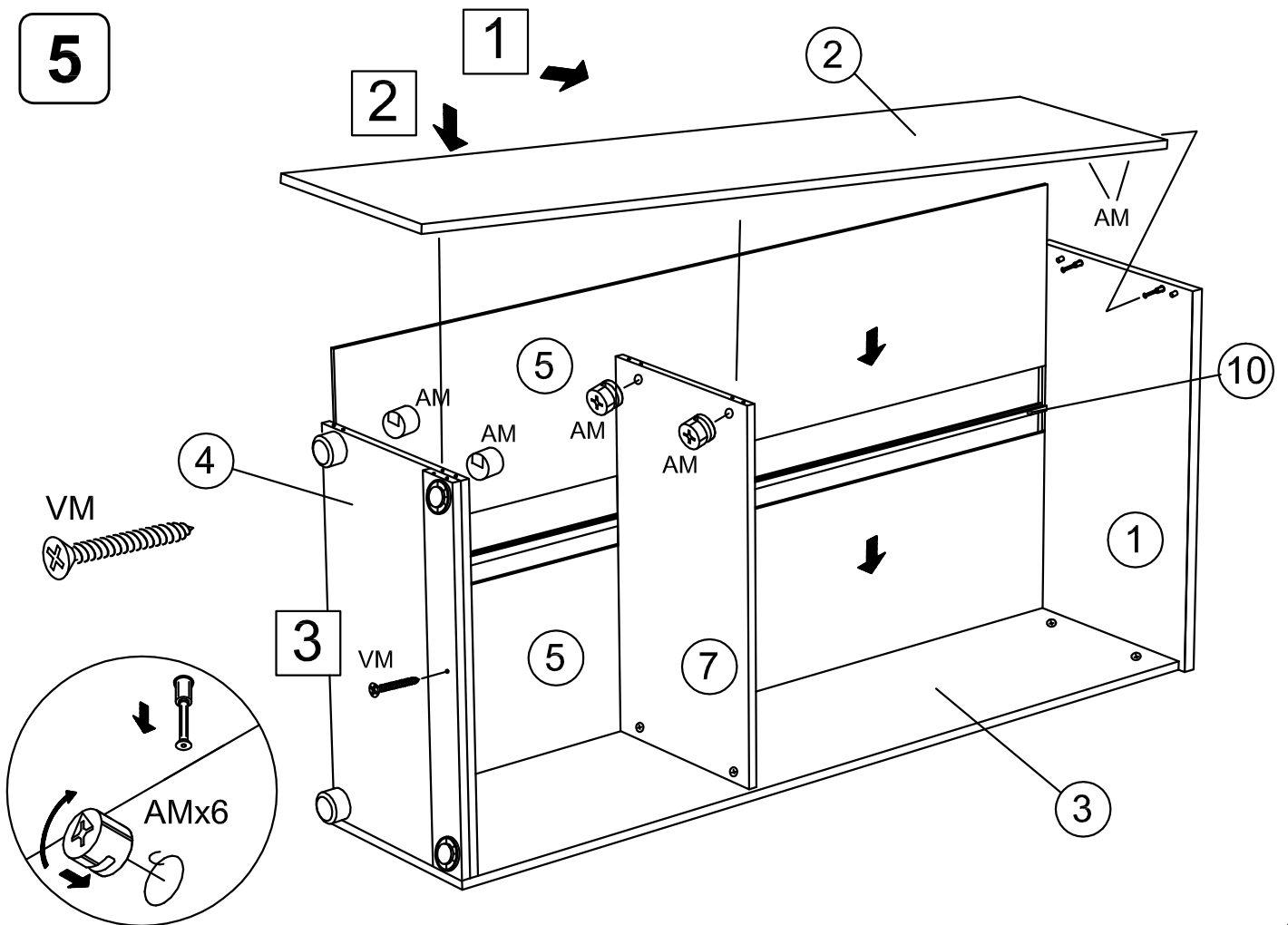
**3**



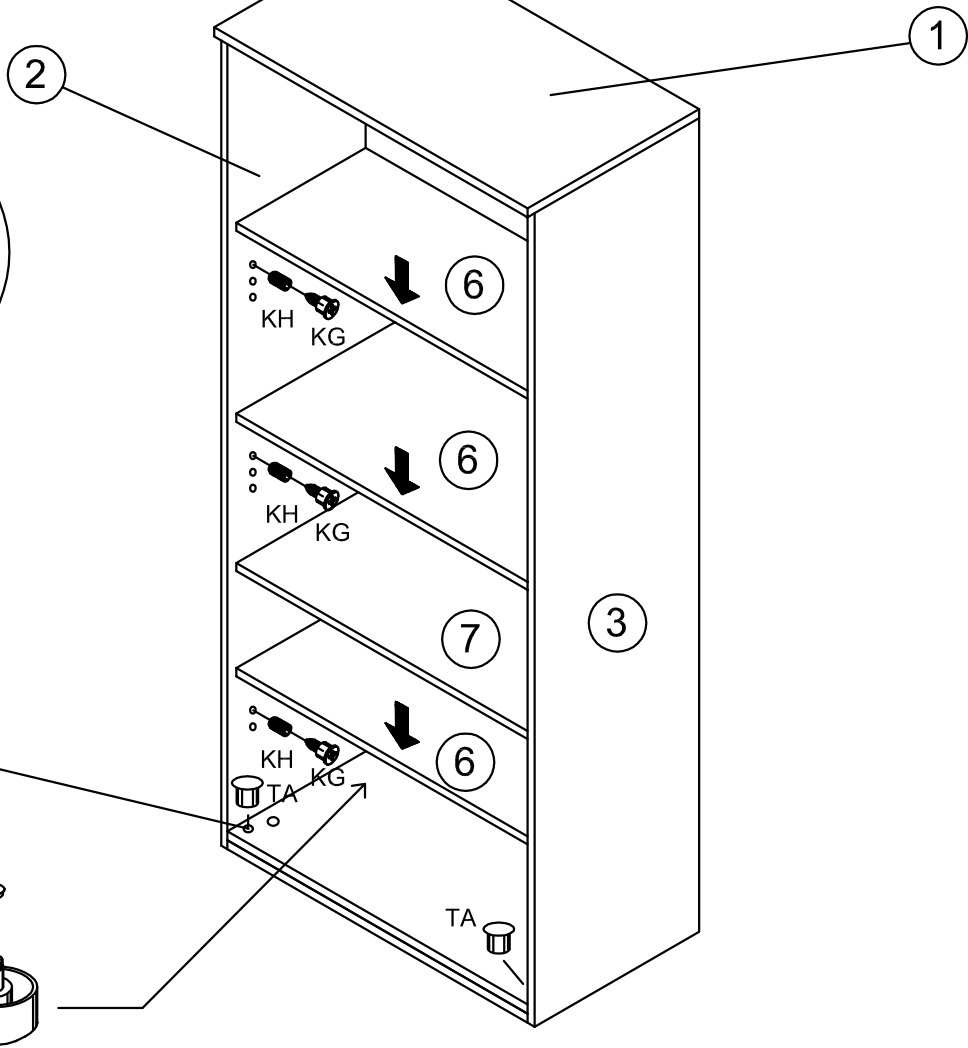
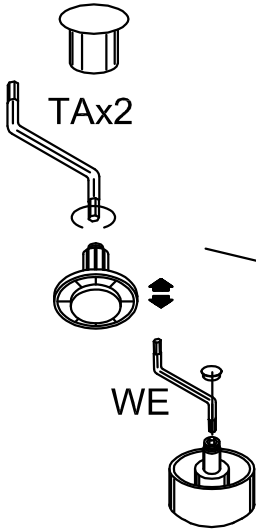
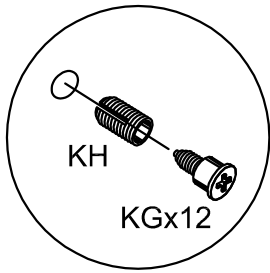
4



5



6



7

