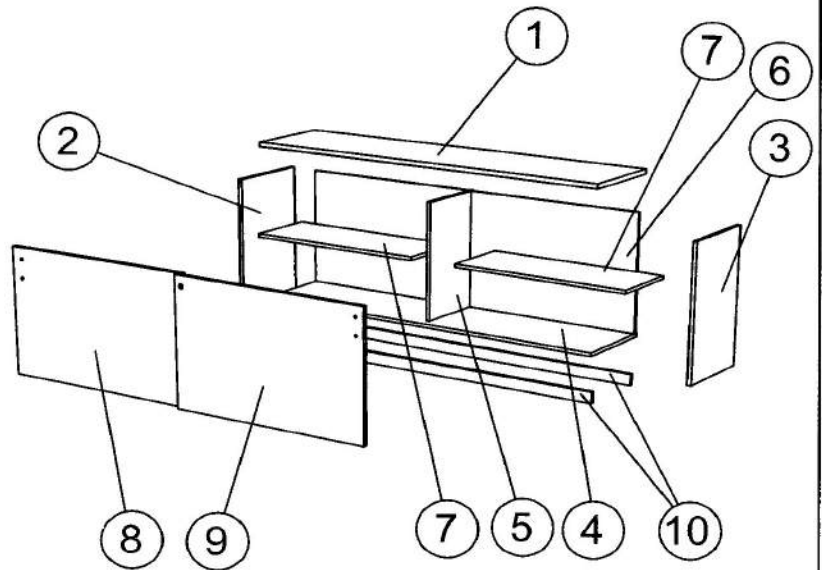
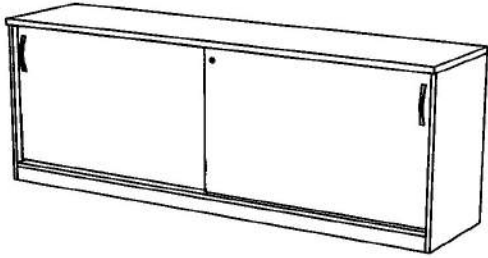


# CR

## ISTRUZIONI DI MONTAGGIO - NOTICE DE MONTAGE - ASSEMBLY INSTRUCTIONS

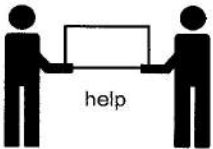
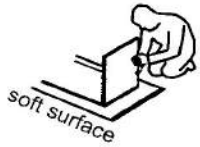


utensili necessari  
outils nécessaires  
tools required



AF 20 	AJ 10 	AM 10 	WA 2 	WE 1 	PC 6 	KF 8 	KG 8 	KH 12 	SM 4 
--------------	--------------	--------------	-------------	-------------	-------------	-------------	-------------	--------------	-------------

### NOTES

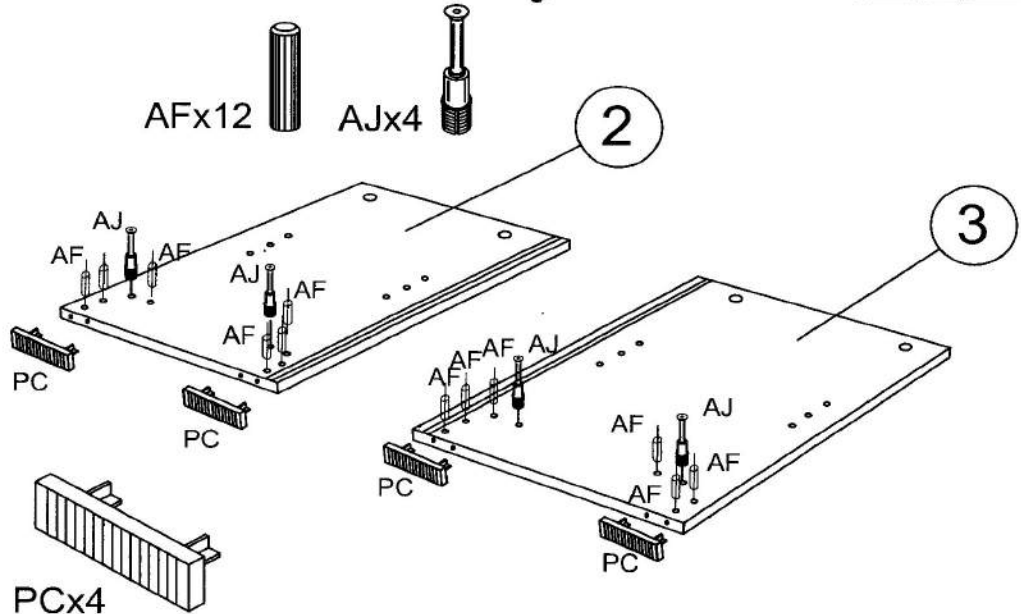


Instructions

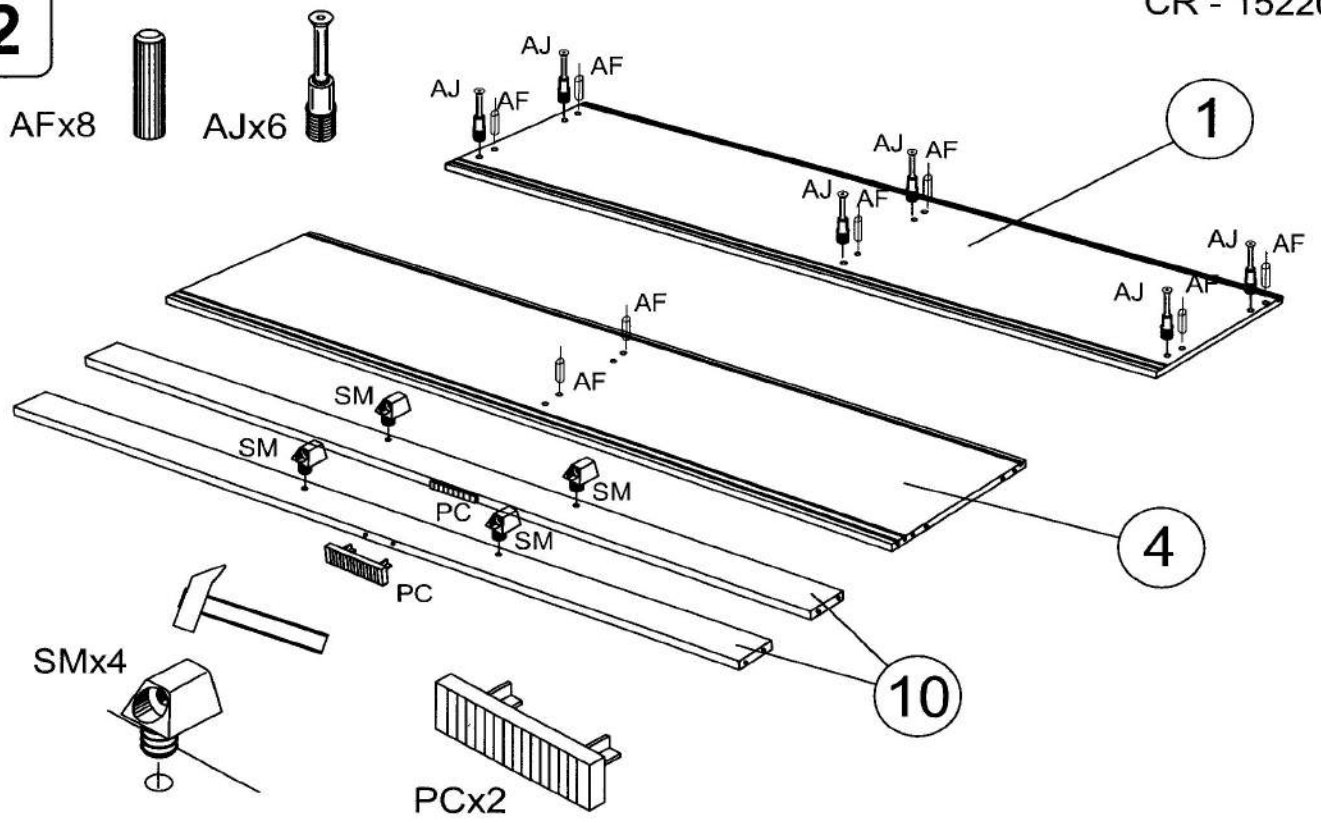


VC 4 	VJ 18 3.5x15 	YG 4 	YH 4 	QP 1 	LE 2 	NA 4 	ZV 1 VASELINE 
-------------	---------------------	-------------	-------------	-------------	-------------	-------------	----------------------

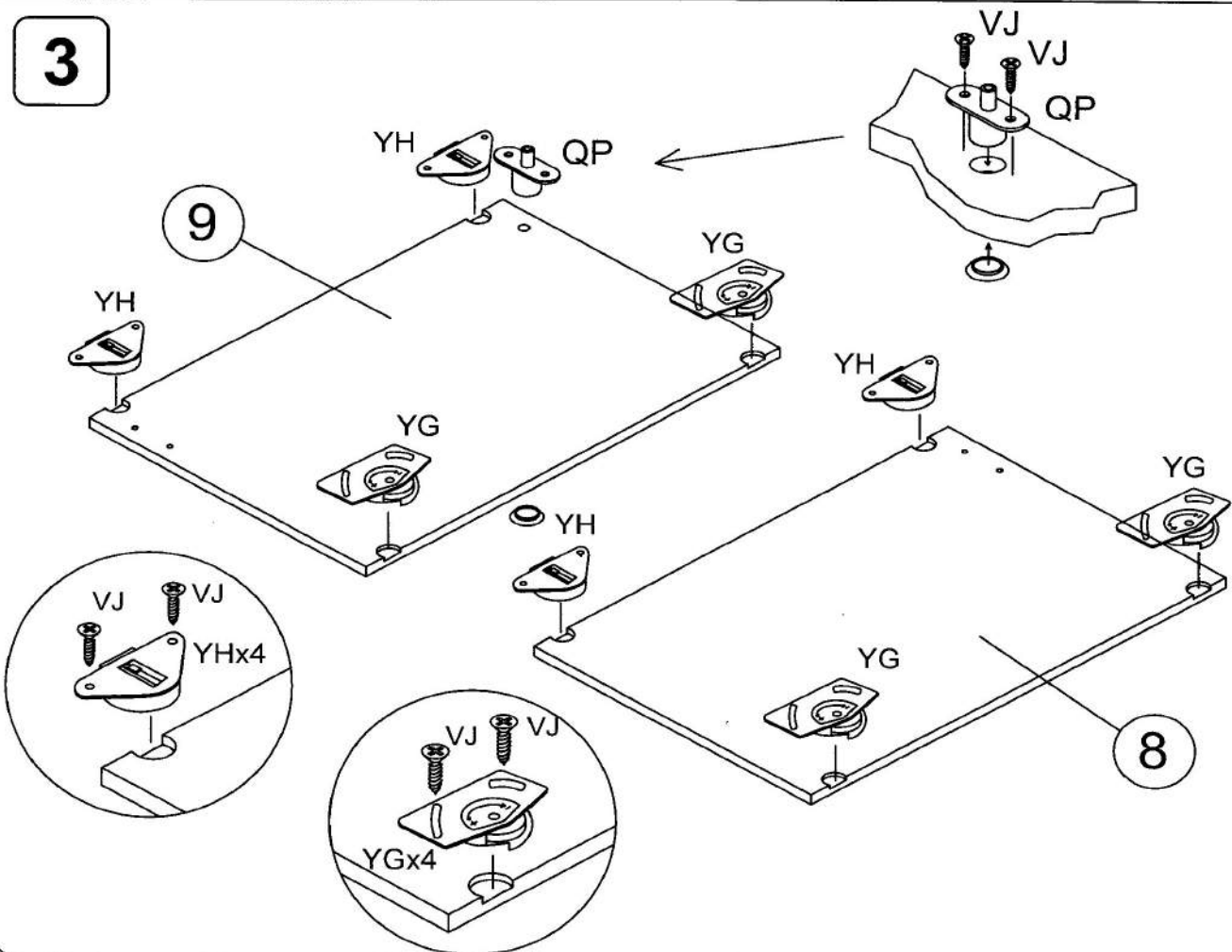
**1**



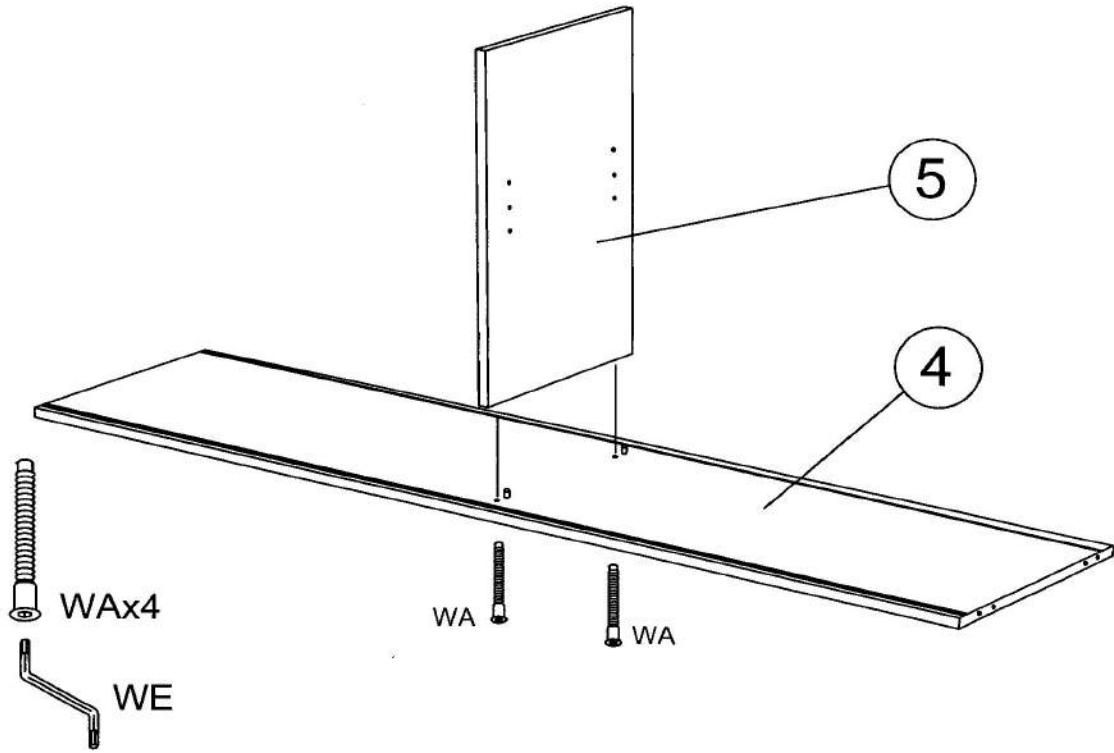
2



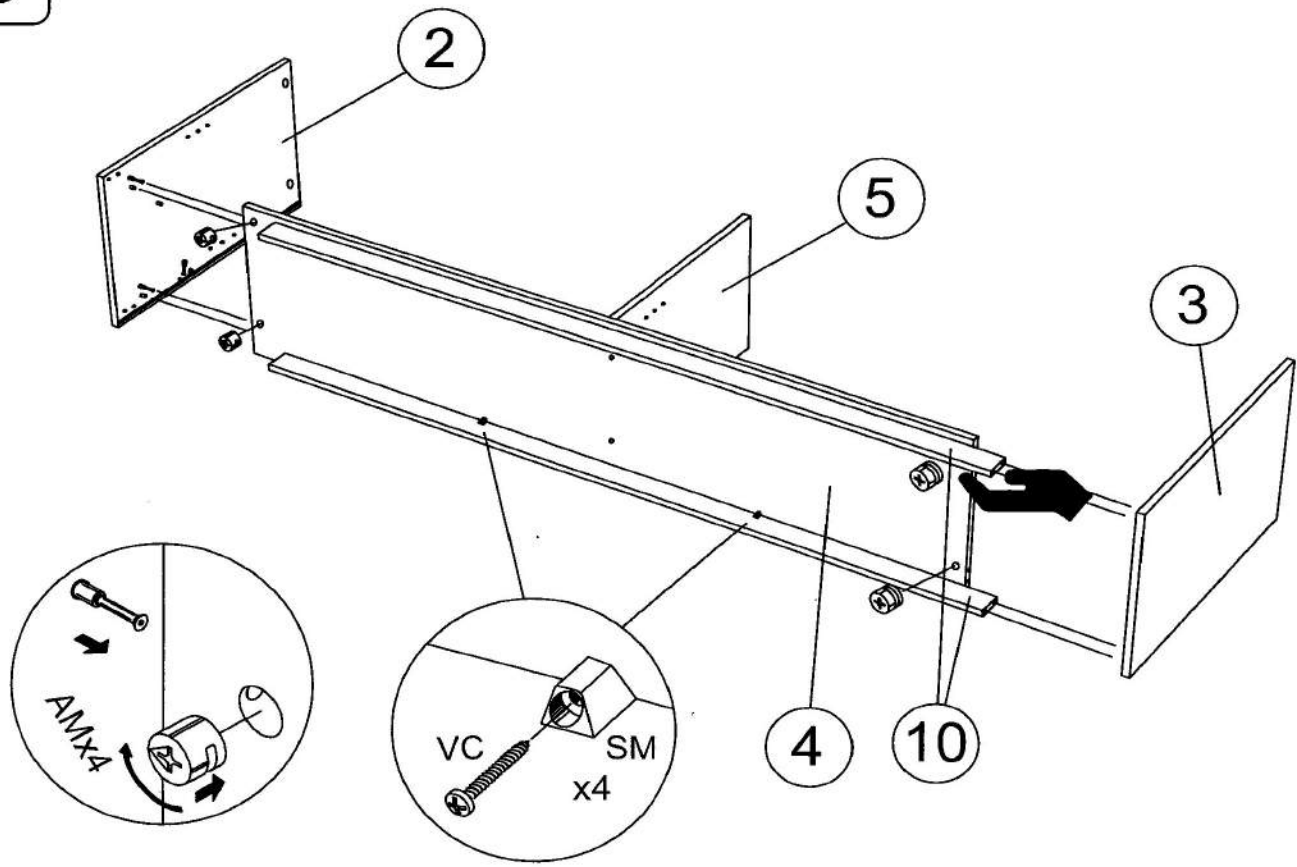
3



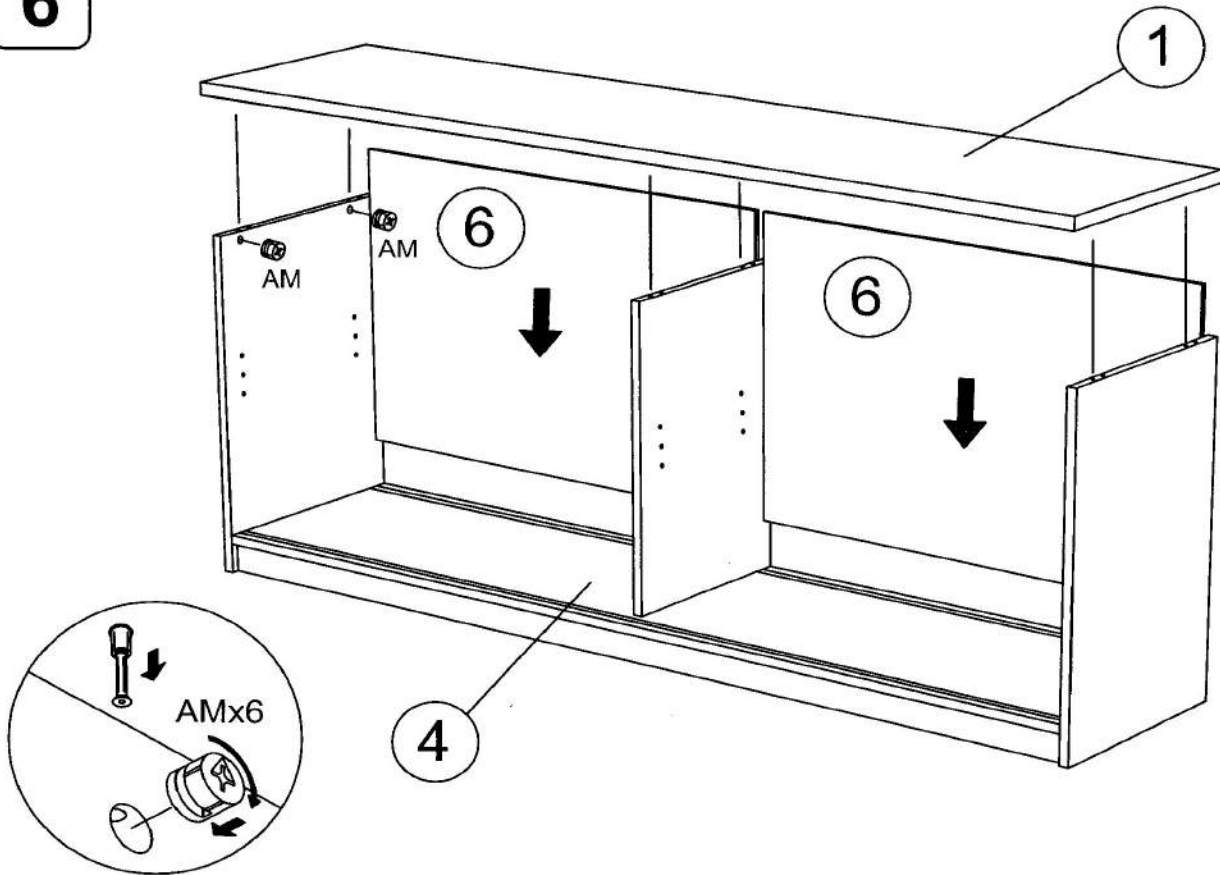
4



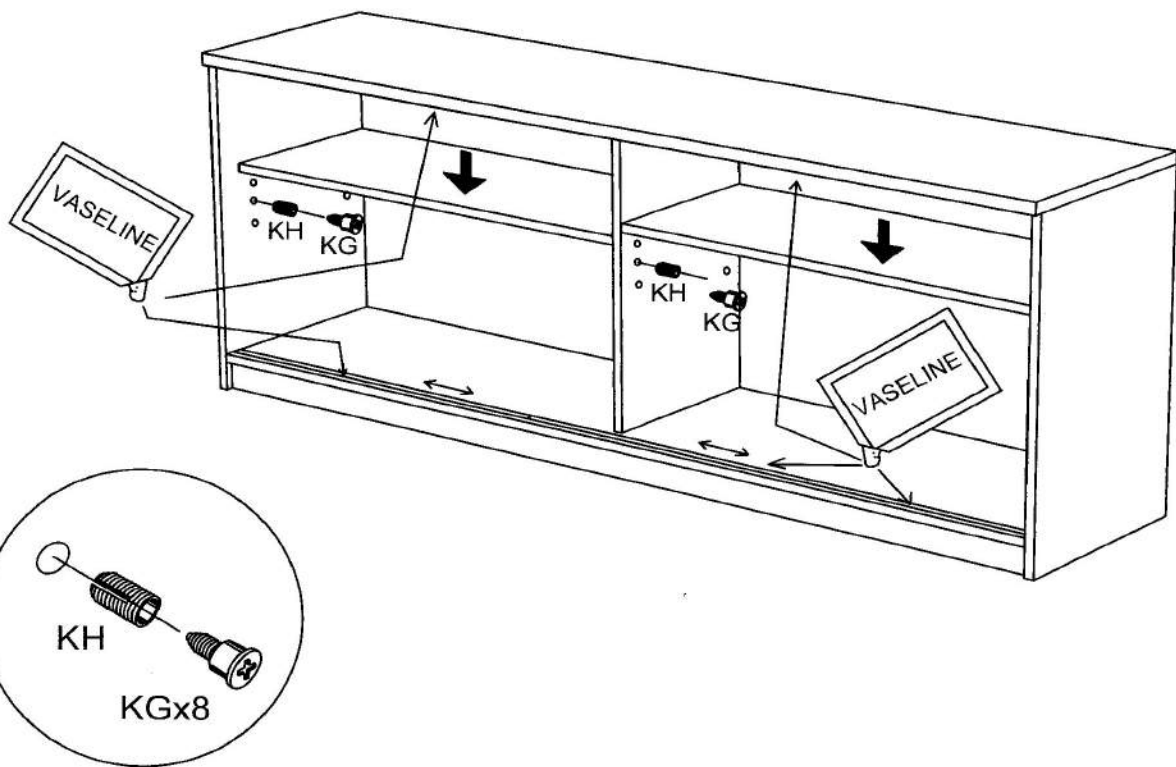
5



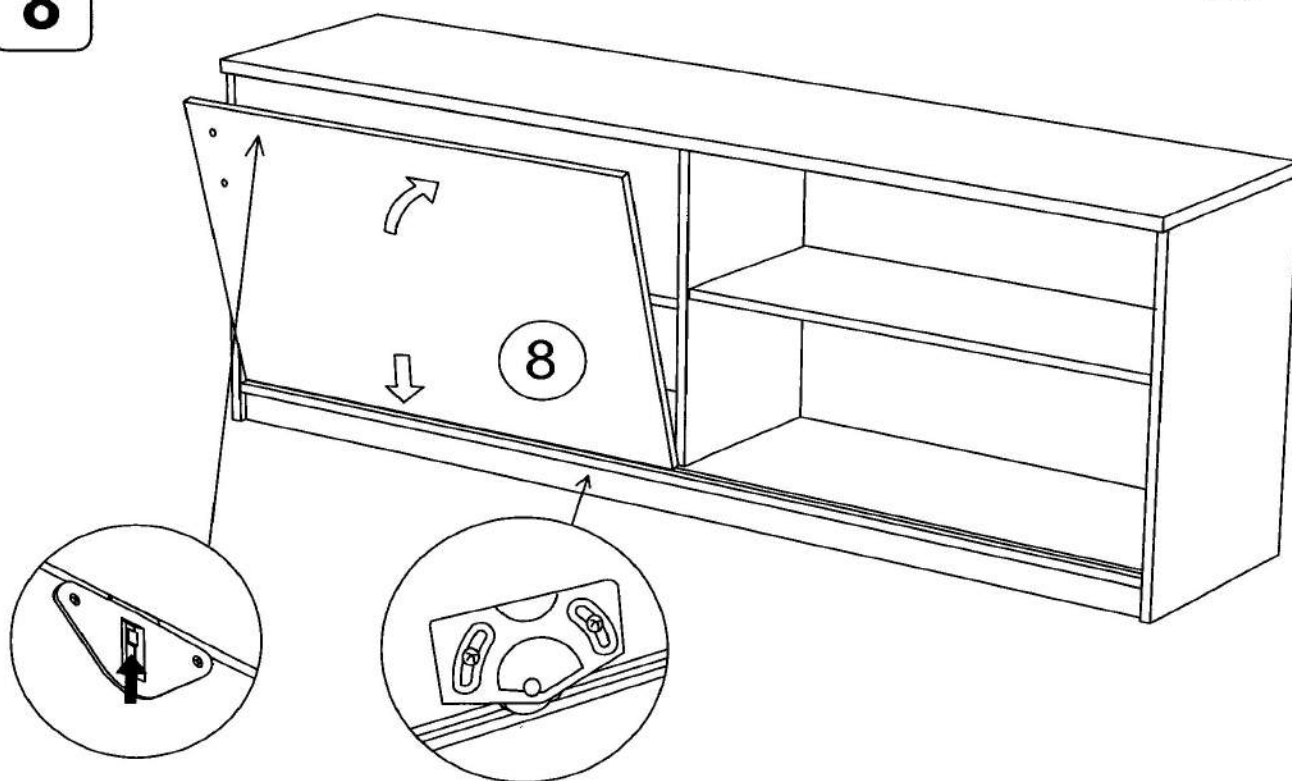
6



7



8



9

