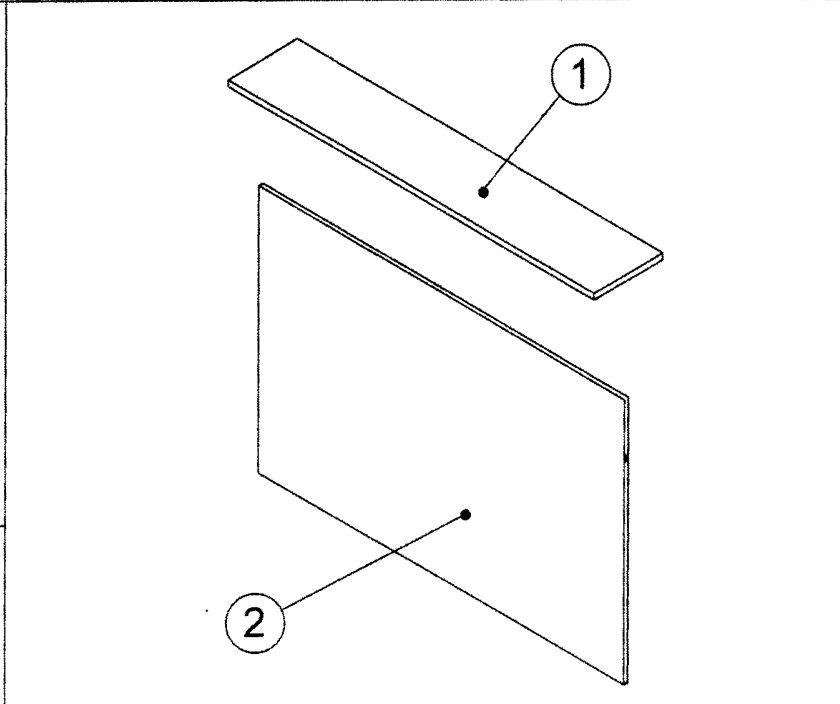
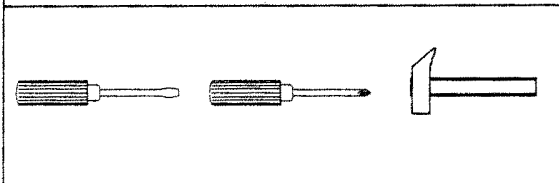
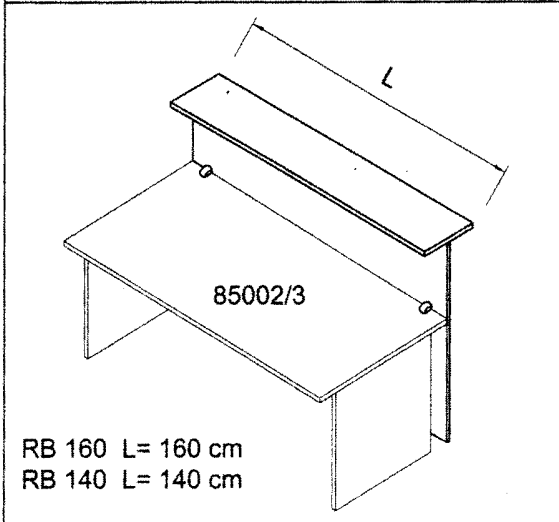


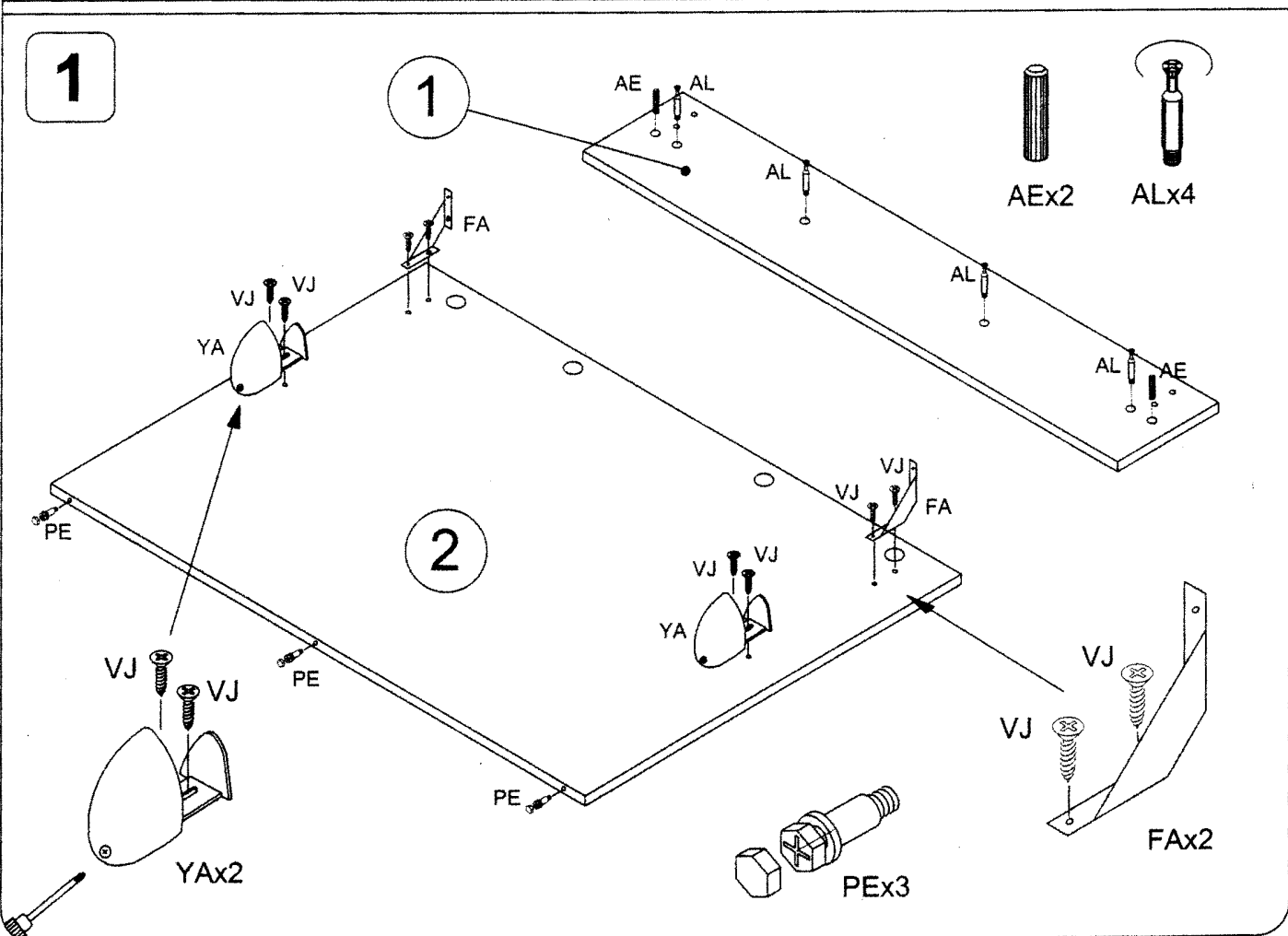


RB 160/140

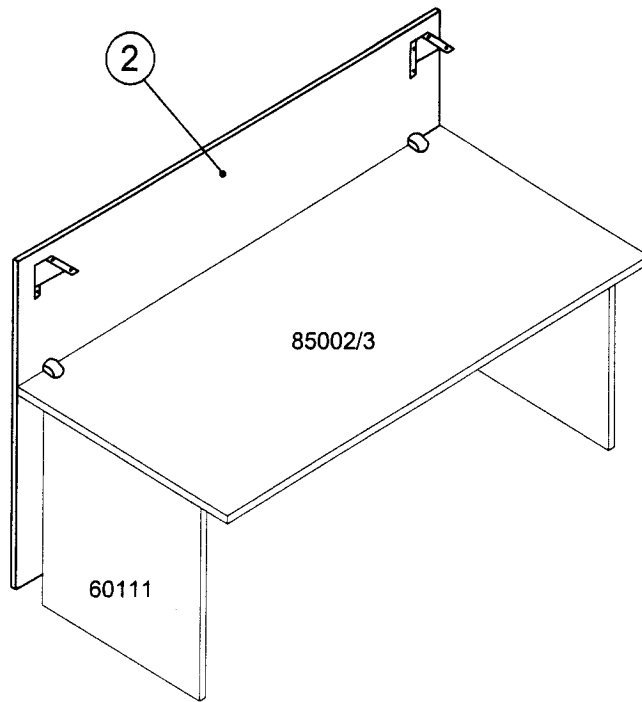
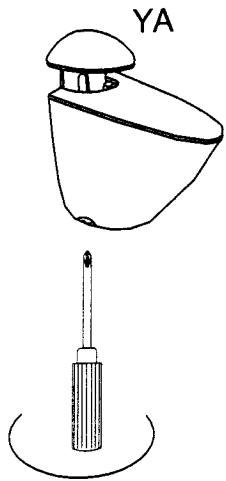
Castellani.it srl



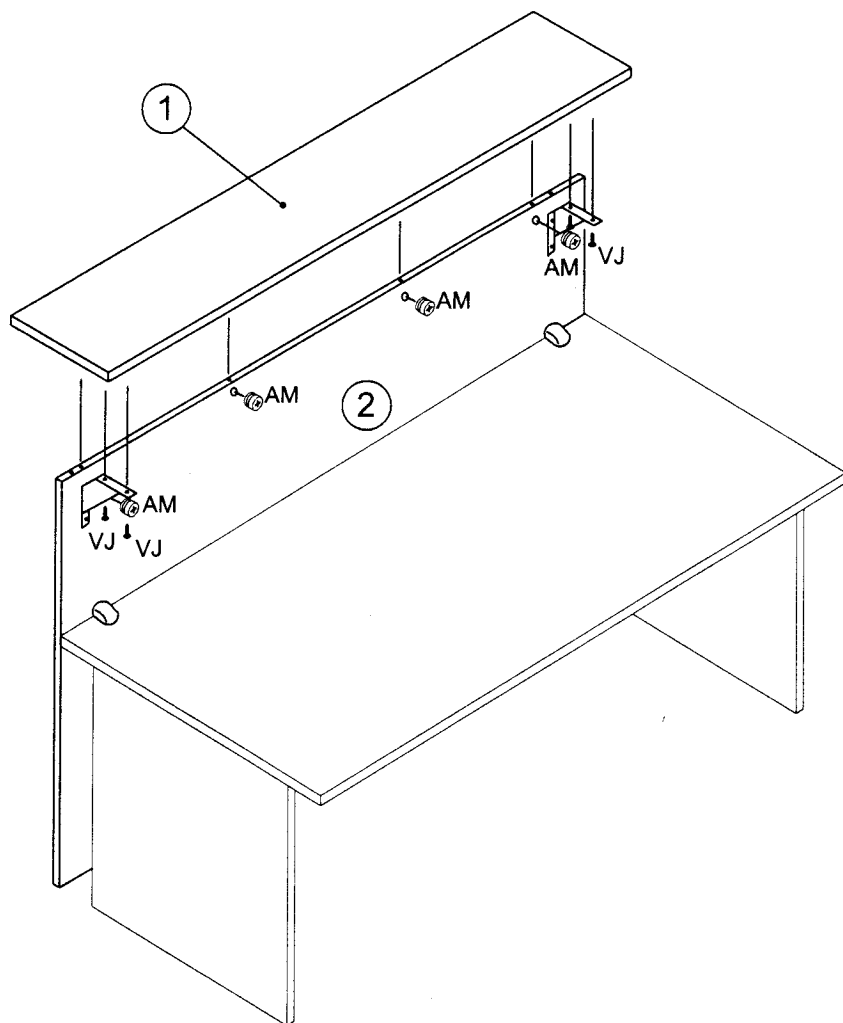
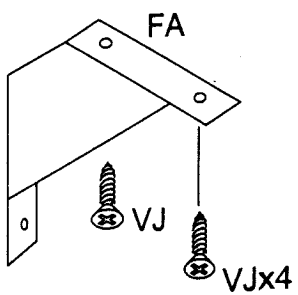
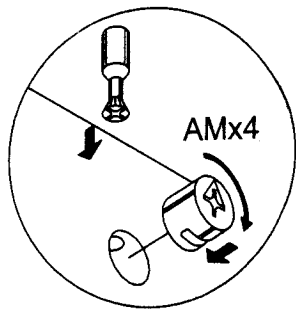
AE 2	AL 4	AM 4	PE 3	VJ 20	YA 2	FA 2	FR 2		
----------------	----------------	----------------	----------------	-----------------	----------------	----------------	----------------	--	--



2

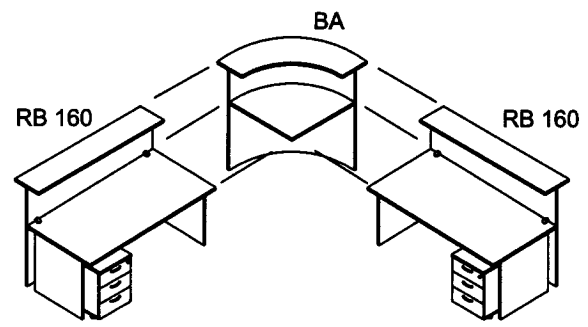
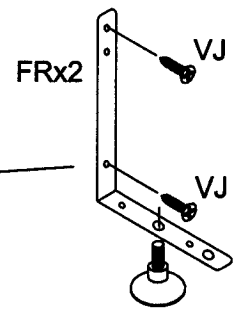
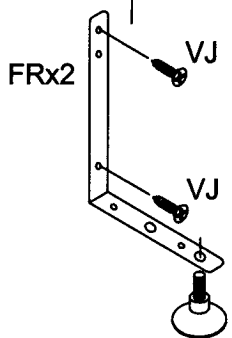
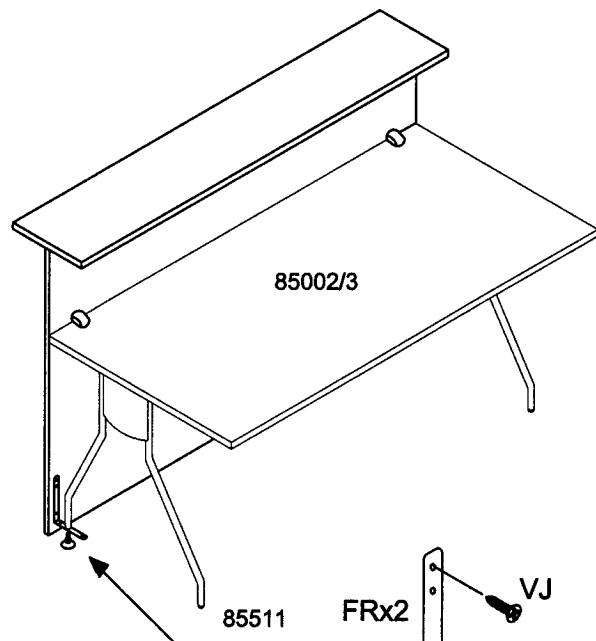
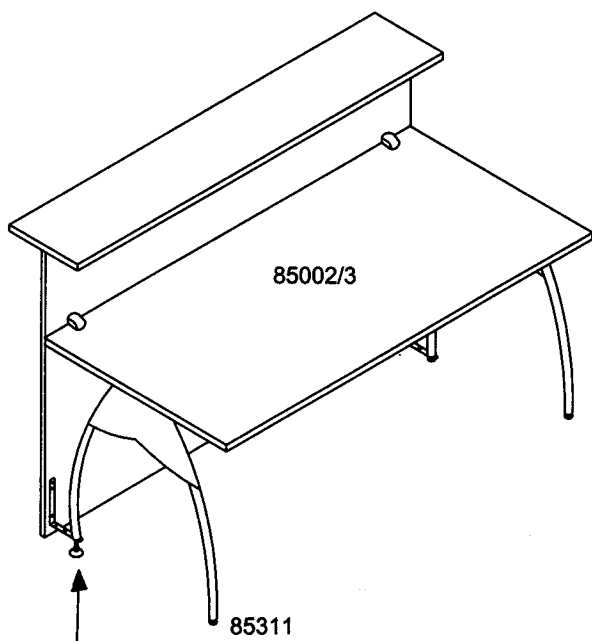
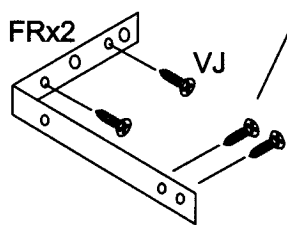
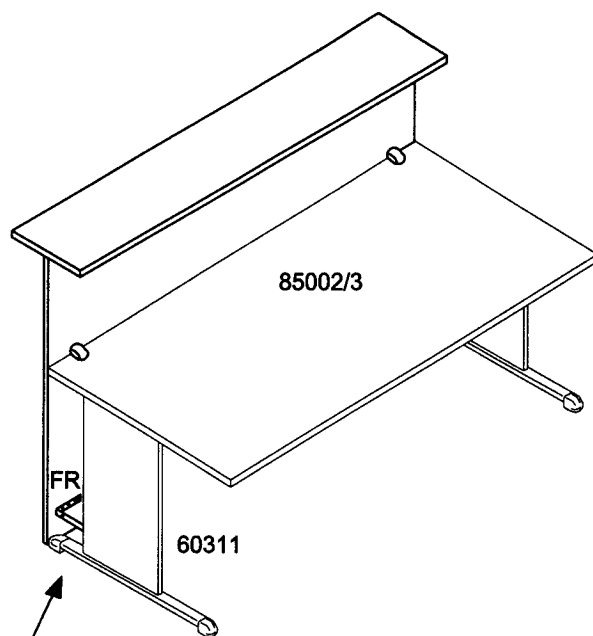
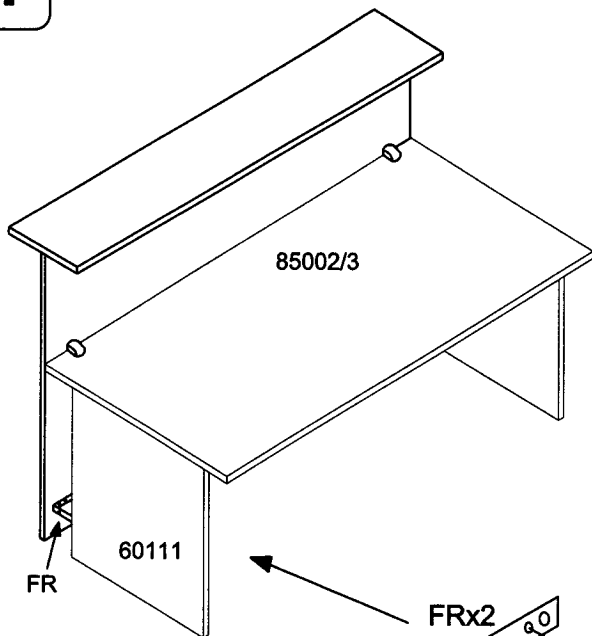


3



4

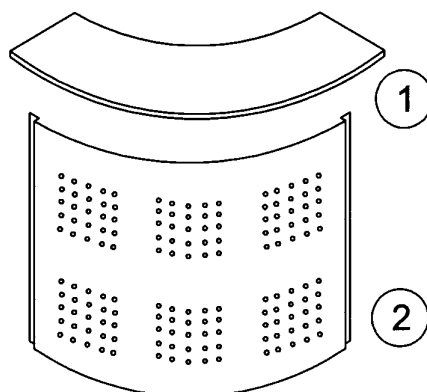
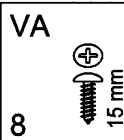
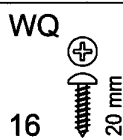
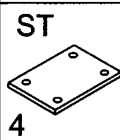
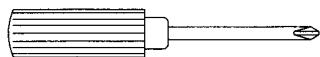
RB 160





BA

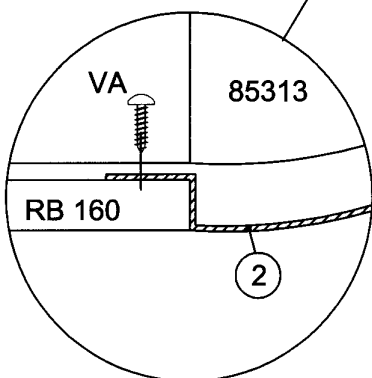
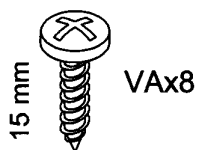
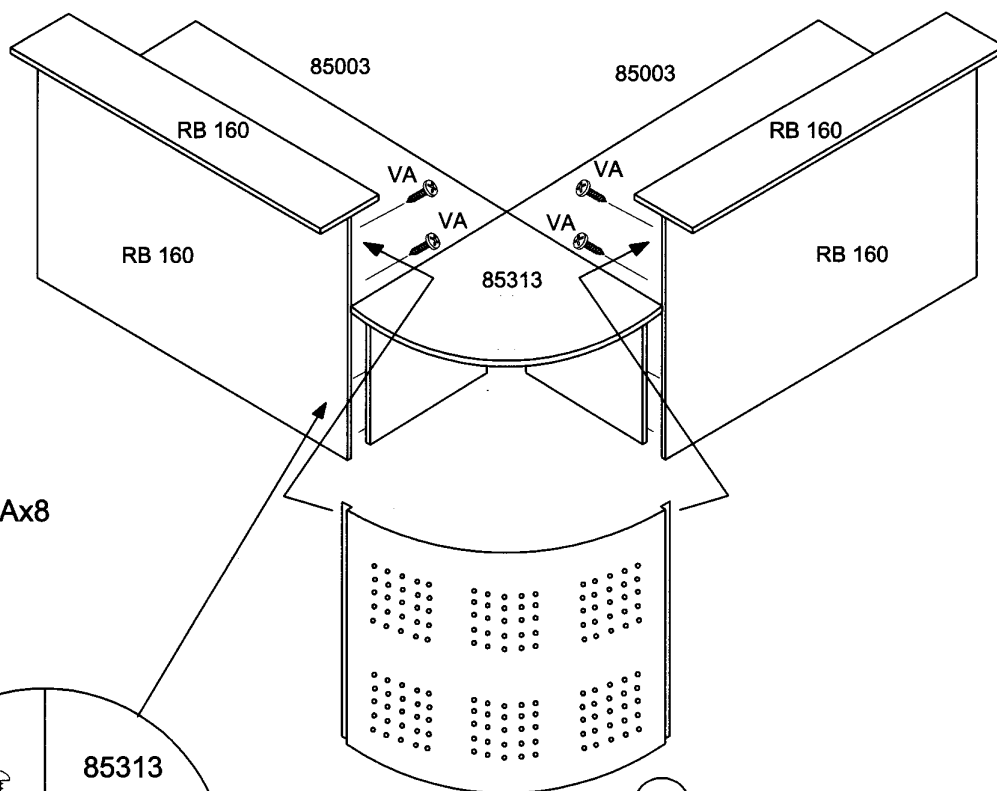
Castellani.it srl



1

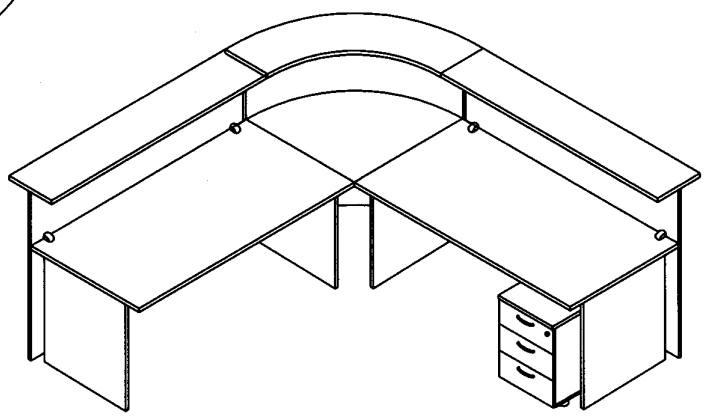
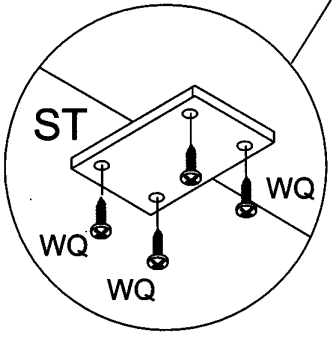
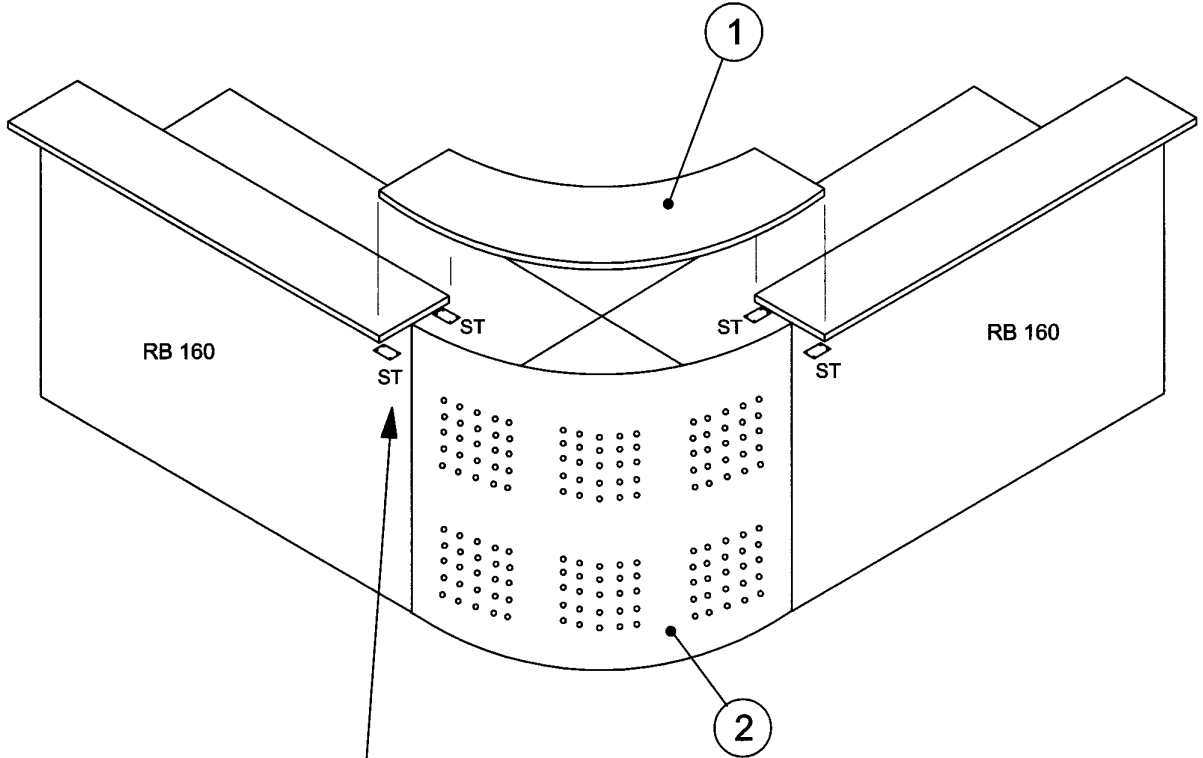
2

1



2

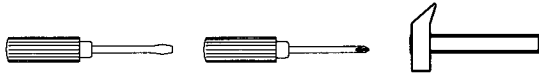
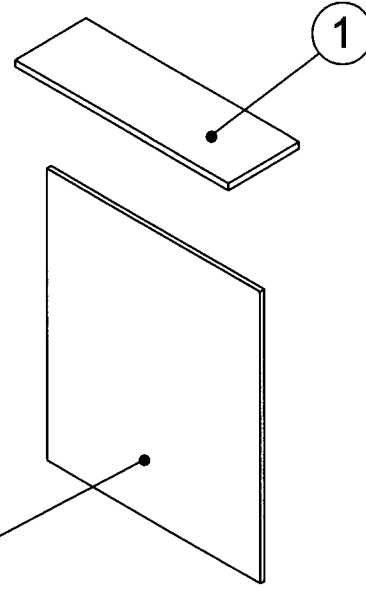
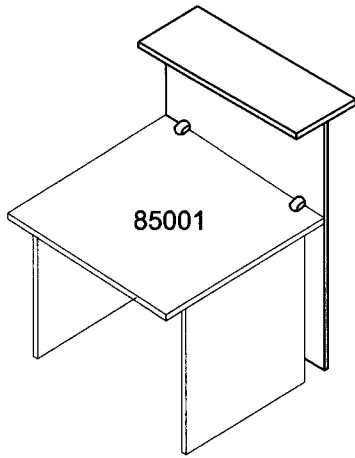
2





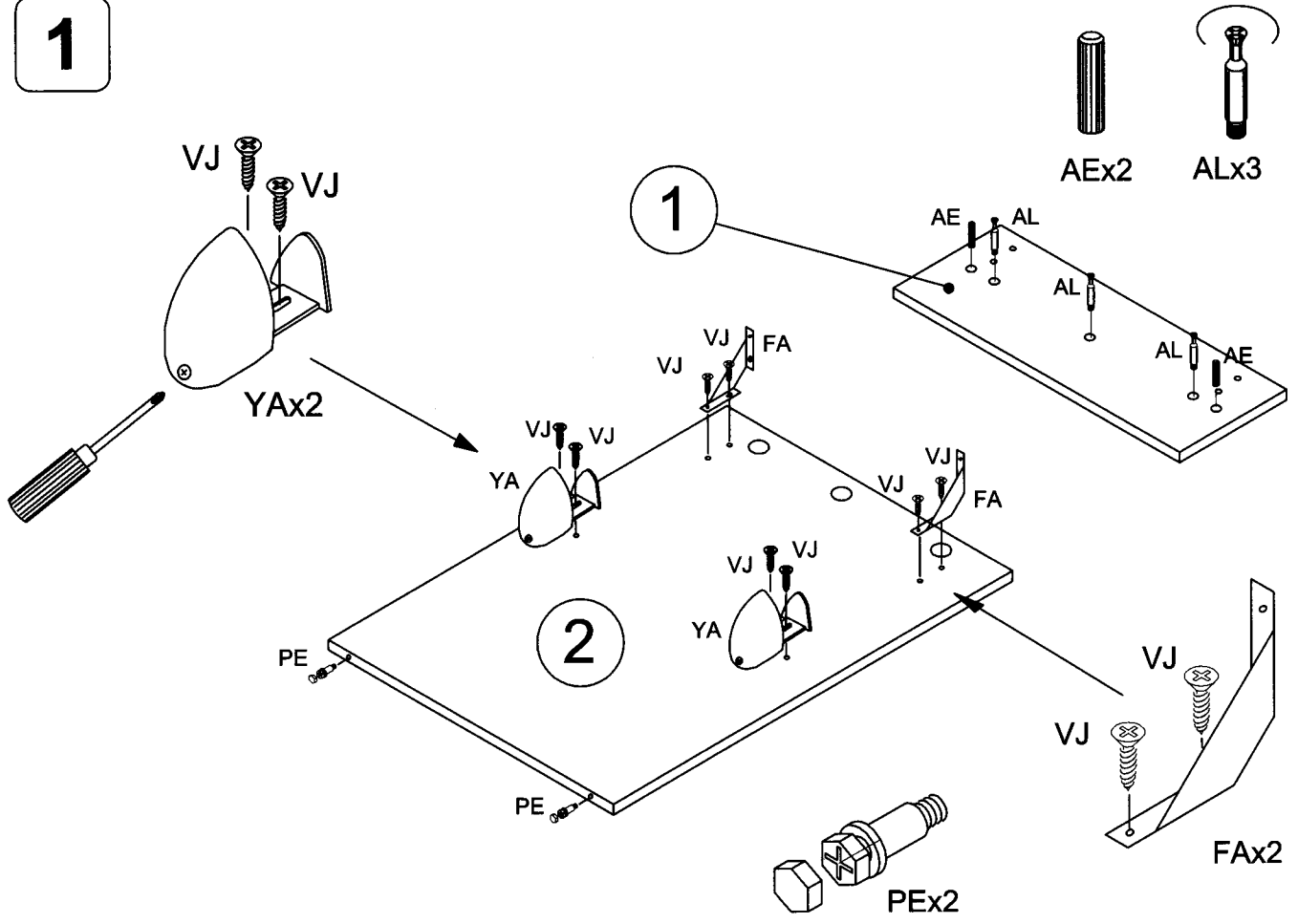
RB 80

Castellani.it srl

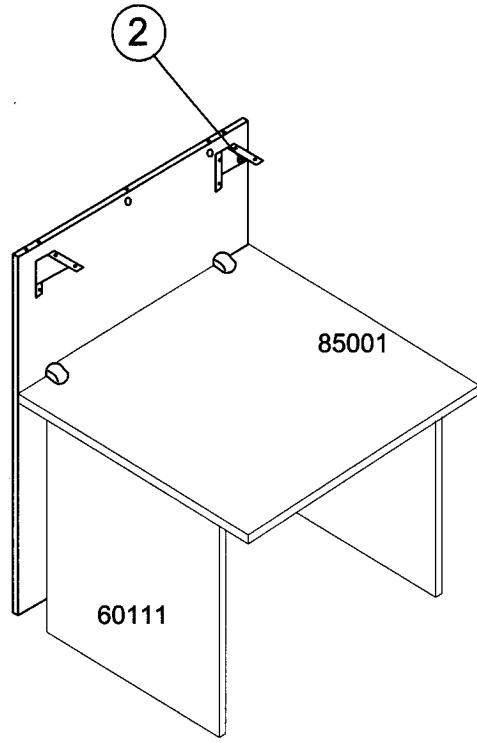
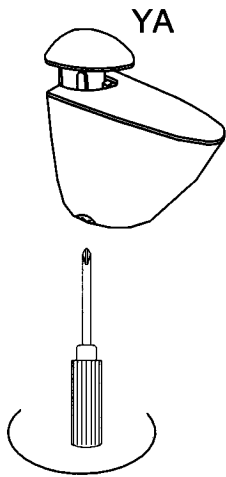


AE	AL	AM	PE	VJ	YA	FA	FR		
2	3	3	2	20	2	2	2		

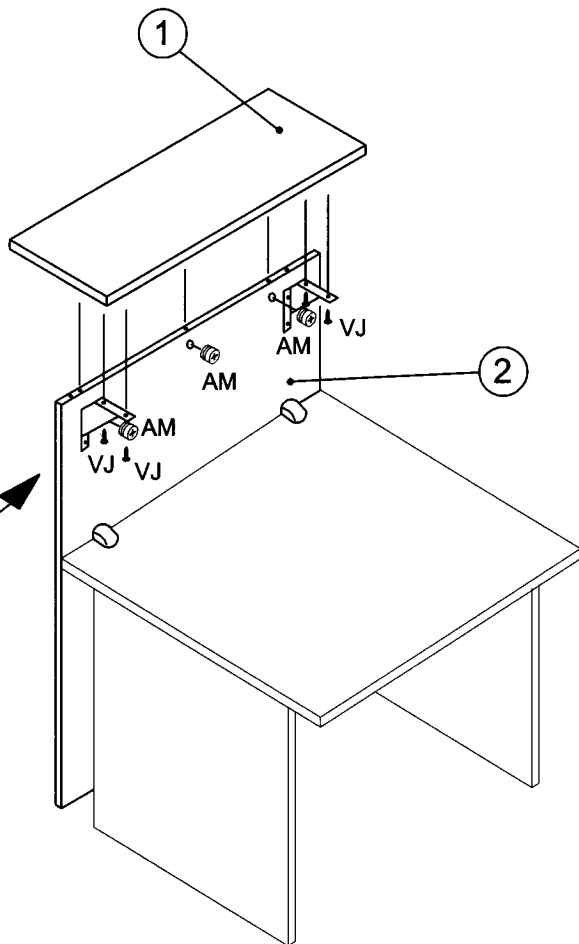
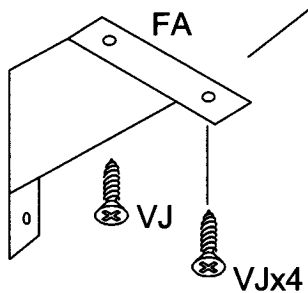
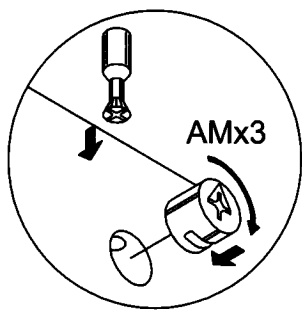
1



2



3



4

RB 80

