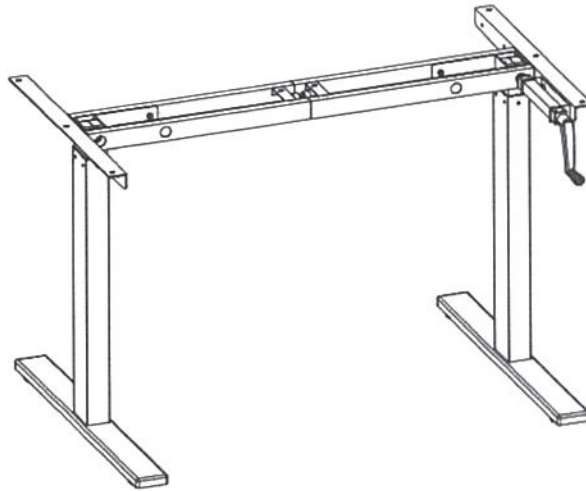


ASSEMBLY INSTRUCTION

Height-Adjustable Desk Frame



Follow me

1. First check contents to make sure nothing is missing.
2. Sort out the parts and fittings as shown; assemble the product step by step.
3. It is preferable to rest the product on a cushioned surface to avoid damage.
4. Do not tighten the screws before fully assembled finished after care.
5. After finishing the installation, move products need to force to the metal stents, please do not directly effect on the panel.
6. This product is only for adults installation, banning children installation.

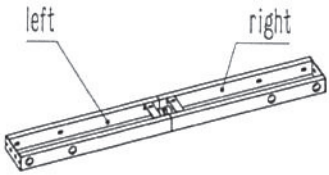



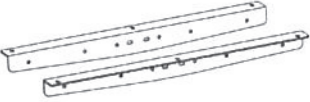


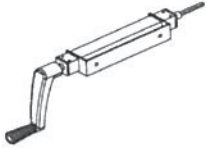
AFTER CARE

Using a soft cloth moistened in lukewarm soap and water to clean metal frame. Then buff with dry clean cloth.









Important Notice

1. Maximum load bearing 80 kg.
2. Height adjustable : 730 mm to 1200 mm
3. Please use the crank handle rise and fall within the range , stop at the highest and lowest point.

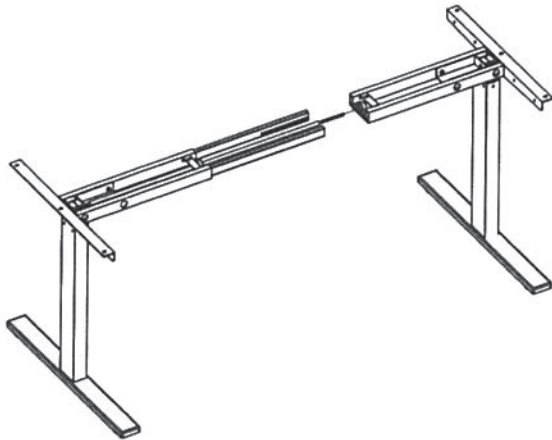
Part List

1	2	3
 <p>Upper beam left & right</p>	 <p>Left columns *1</p>	 <p>Right columns *1</p>
4	5	6
 <p>Bottom*2</p>	 <p>Top support*2</p>	 <p>Transfer bar *1</p>
7	8	
 <p>Extendable rod *2</p>	 <p>Manual stents*1</p>	

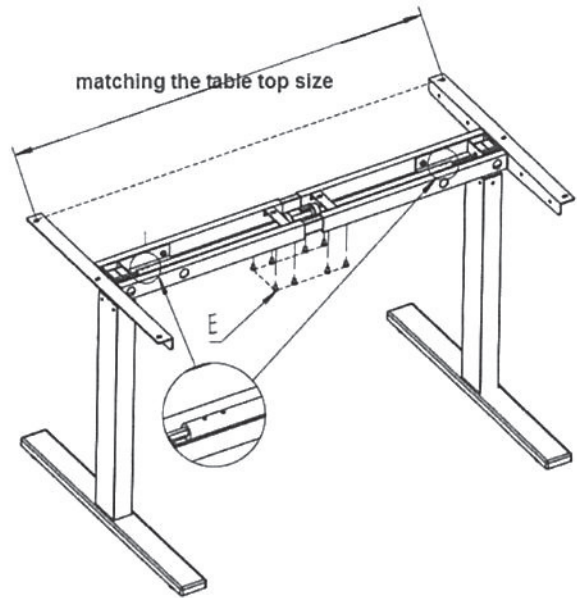
Hardware List

A	B	C	D
 <p>Round head hex screw *6pc (M6×10mm)</p>	 <p>Flat gasket * 8pc (M6)</p>	 <p>Spring washers *8pc (M6)</p>	 <p>Flat head hex screw *8pc (M6×16mm)</p>
E	F	G	H
 <p>Flat head hex screw *18pc (M6×10mm)</p>	 <p>Self cross-head screw *8pc (M5×12mm)</p>	 <p>Allen key * 1pc (1.5mm)</p>	 <p>Allen key * 1pc (4mm)</p>

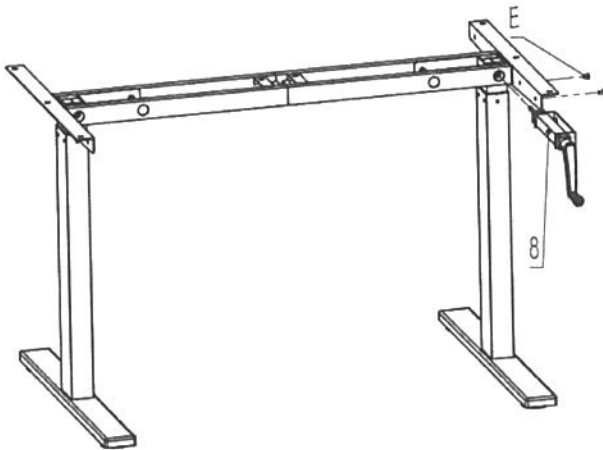
5. Install the upper beam work on right columns with the Allen key.



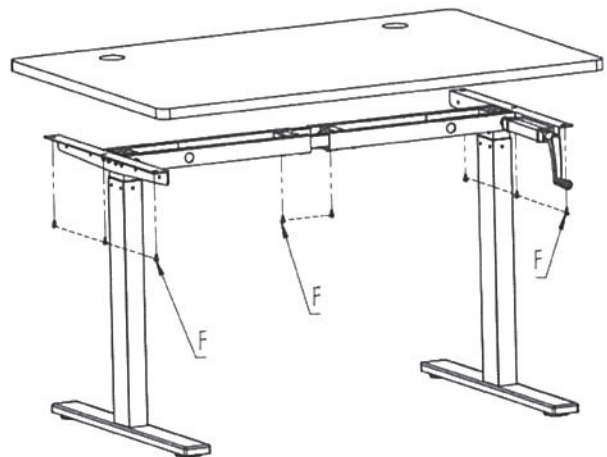
6. Tightening the upper beam screw and bracket screws of the fixed transfer bar after confirming matching the size of the table top.



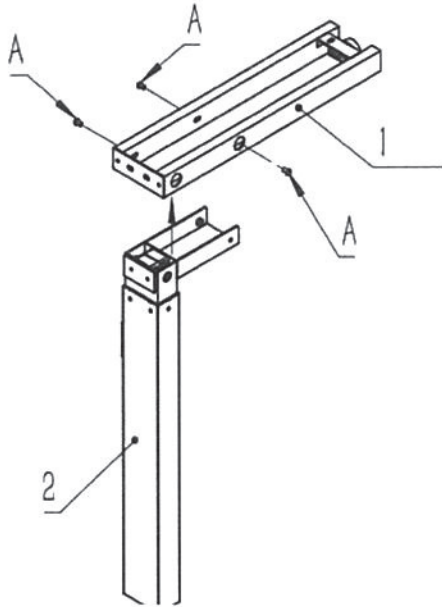
7. Fixing the manual stents. Left or right.



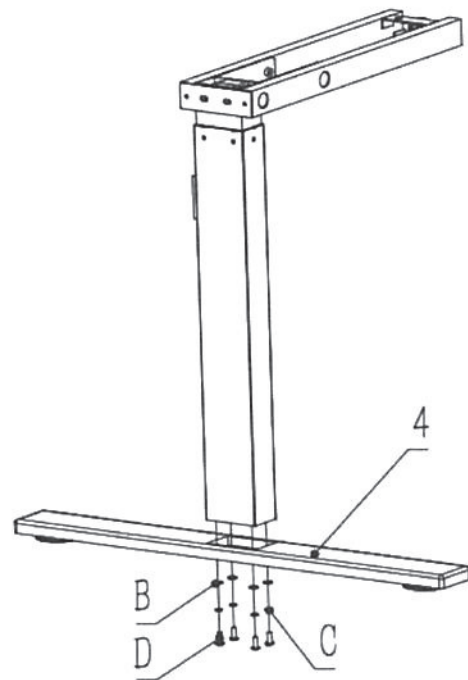
8. Fixing the top.



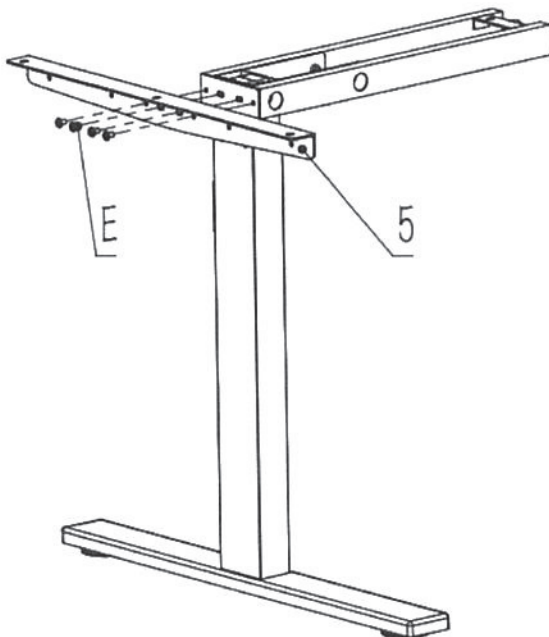
1. Install the upper beam work on left columns with the Allen key ; Pay attention to the left and right direction.



2. Fixing the bottom with the Allen key.



3. Install the top support with the Allen key.



4. Install extendable rod, pay attention to the rabbet as below side:

